

AJ12

DENTAL CHAIR

DENTAL OPERATORY PACKAGES



AJ12 Chair

Part number : A091201



Standard Features



- AJ12 Electromechanical chair with 3 programmable positions,
- Articulating headrest,
- Swing out armrest,
- Steel backrest stand,
- Steel base plate,
- Chair safety switch,
- Wide backrest, Upgraded fiber leather,
- One touchpad attached on armrest, Foot control

Specifications

Environmental requirements

Ambient temperature 41°F ~ 104°F

Humidity ≤ 80%

Atmospherical pressure 8.7 psi ~ 15.4psi

Electrical requirements

AC110V±22V

50HZ, 60HZ

Motor run time

Intermittent operation 30s on / 5min Off

Weight

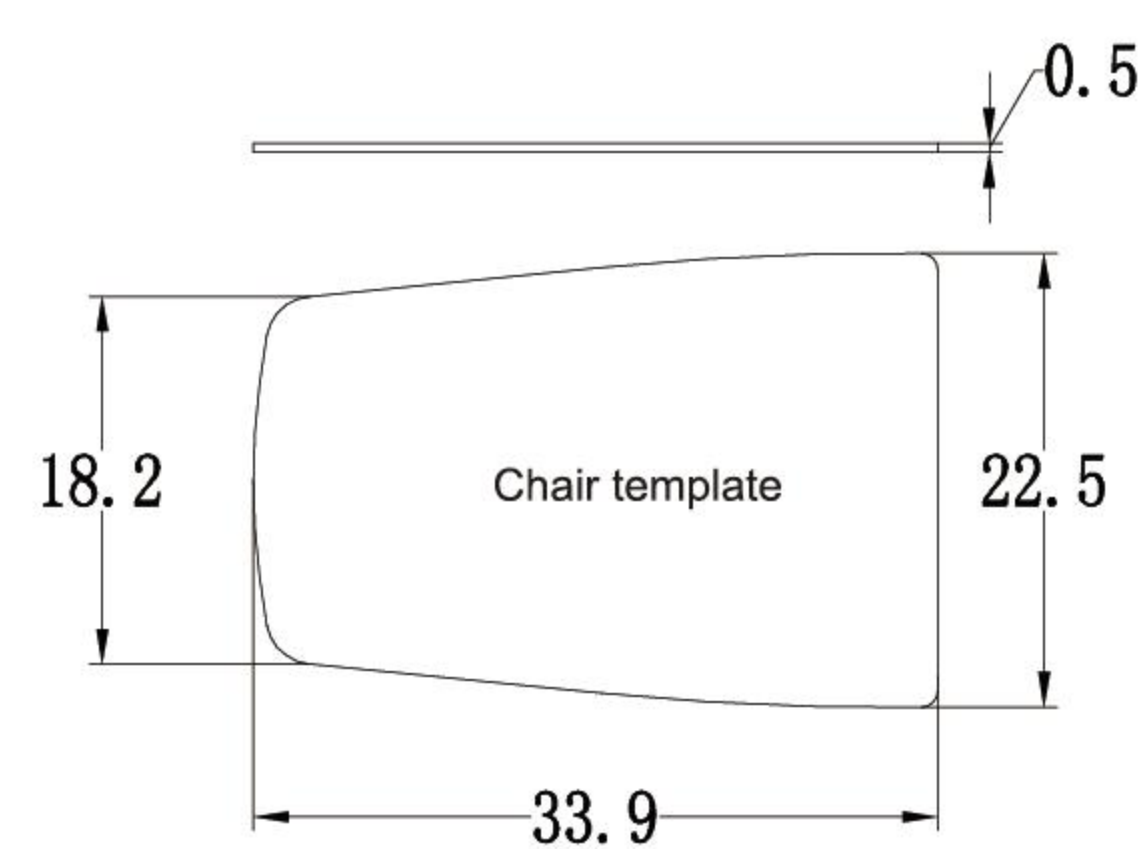
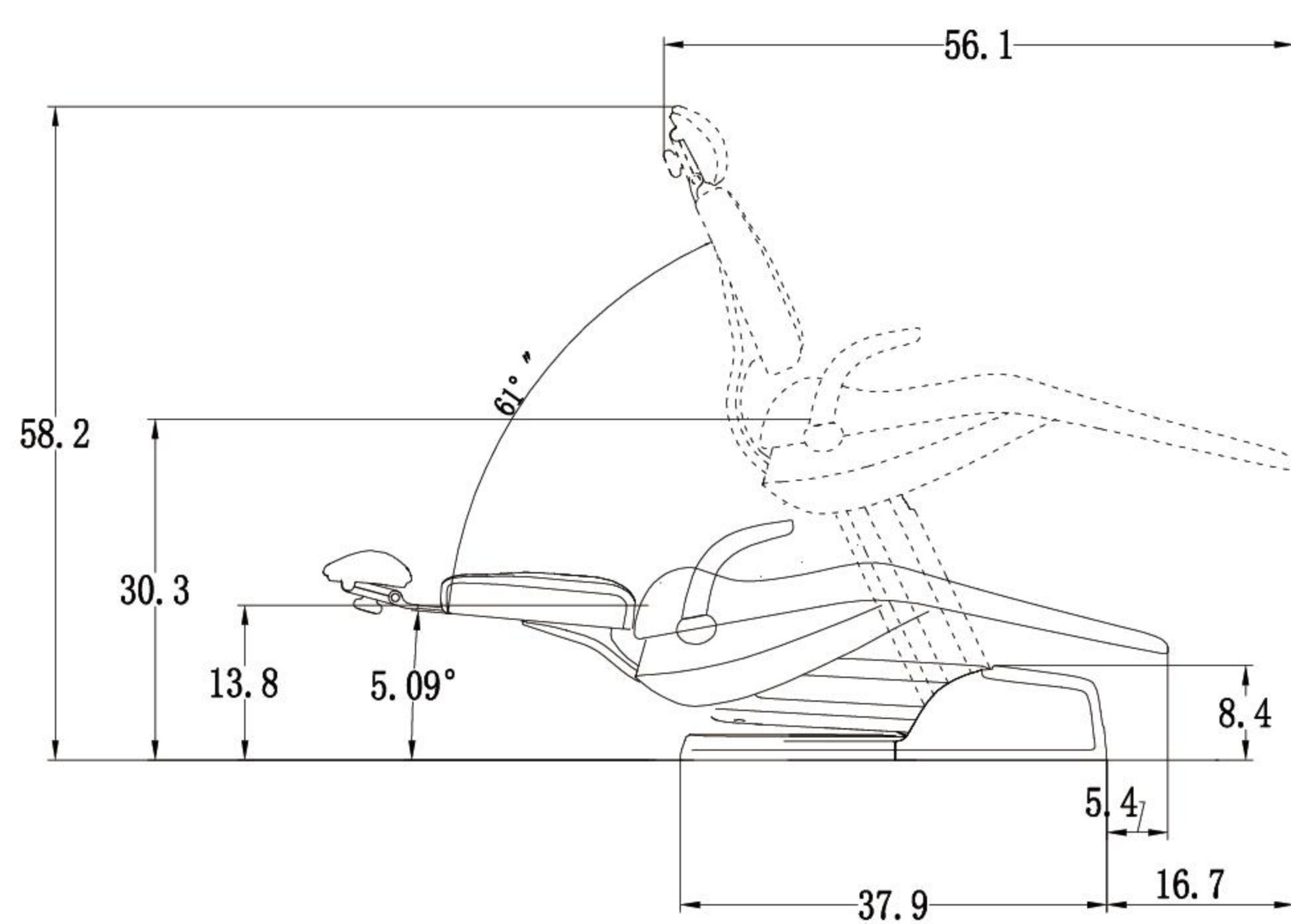
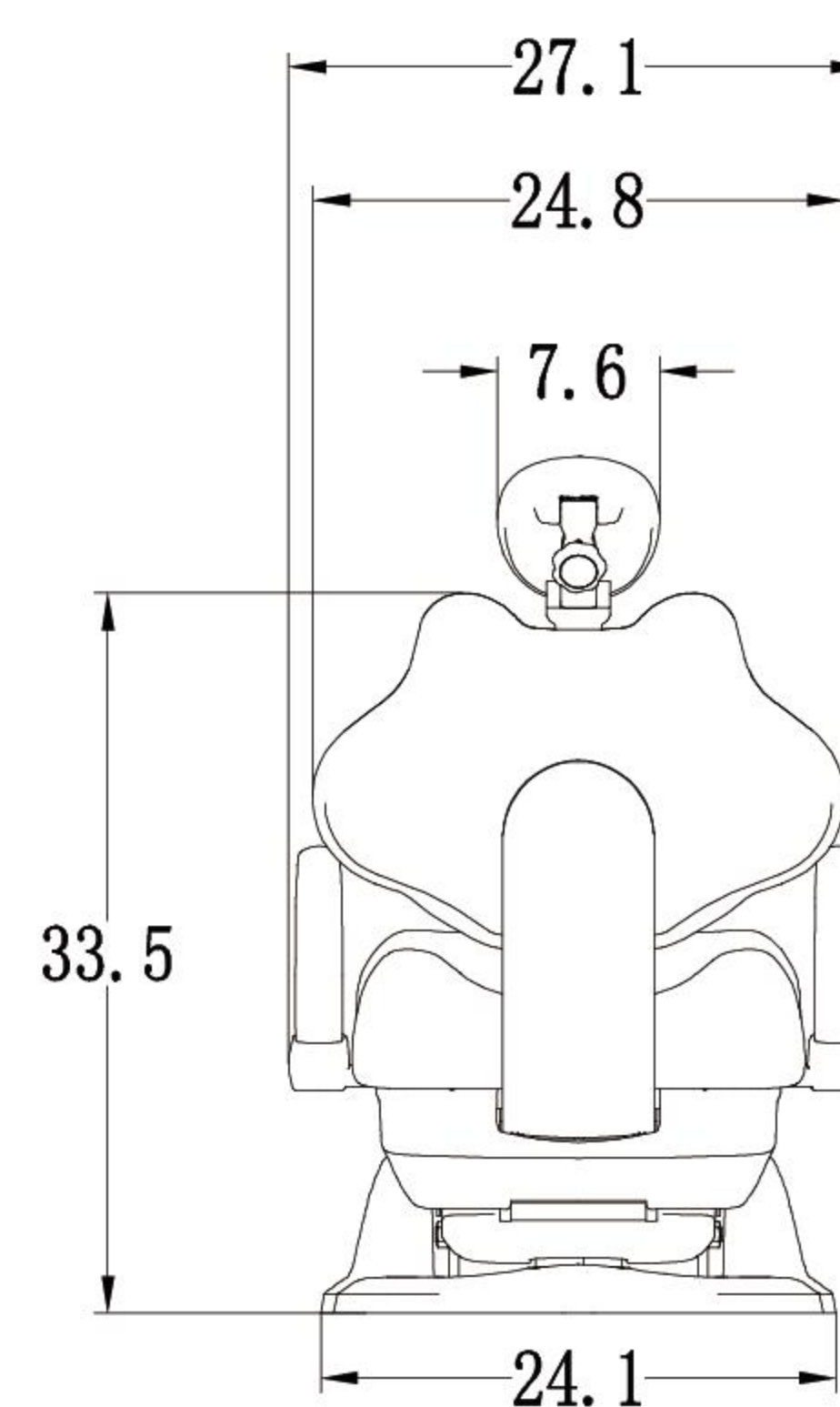
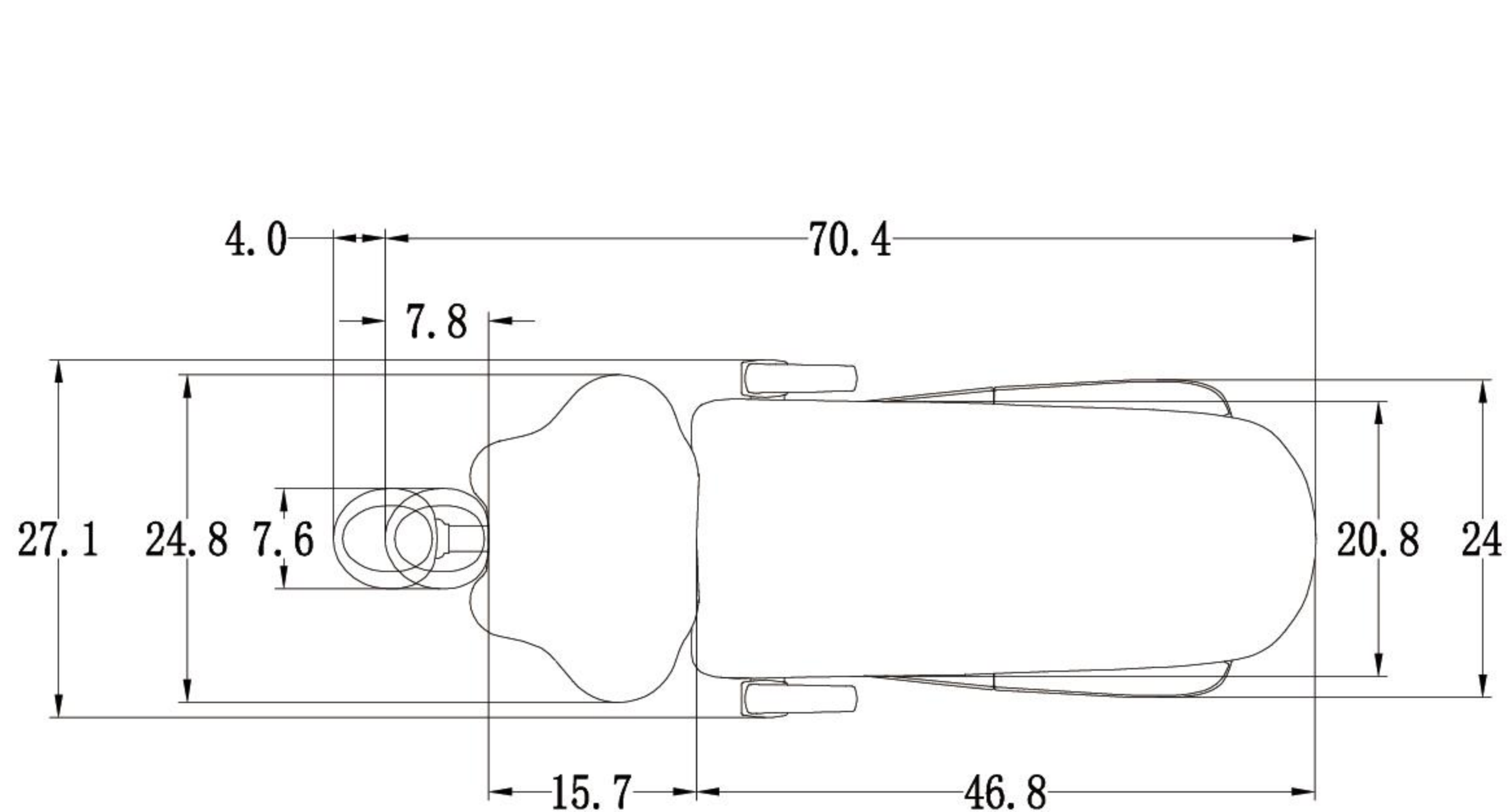
320lbs

Max patient load

400lbs

Dimensions

Unit:inch



AJ12 Classic 100

Part number : A9121001



Standard Features



- AJ12 EL chair with 3 programmable positions,
- Articulating headrest, Swing out armrest,
- Steel backrest stand, Steel base plate, Chair safety switch,
- Wide backrest, Upgraded fiber leather,
- One touchpad, Foot control,
- Classic dentist's control head with 3 auto H.P. control,
- Individual water coolant controls,
- Master handpiece air coolant adjustment,
- Asepsis handpiece tubing,
- Master on/off switch, 1 doctor syringe, Wet/Dry foot control,
- Stainless steel tray with non-slip pad, Flex arm air brake switch,
- Classic 100 Post mounted utility (PMU) with steel side box,
- City water/bottled system, Water outlet and air QD, Solids collector,
- 2 HVE, 1SE, 1 syringe on telescoping assistant's control,
- Junction box with air/water filters, regulators, master shut-off valves,
- 5 ft. umbilical,
- Post mount LED light with sensor control, 3 level intensity adjustment

AJ12 Classic 101

Part number : A9121011



Standard Features



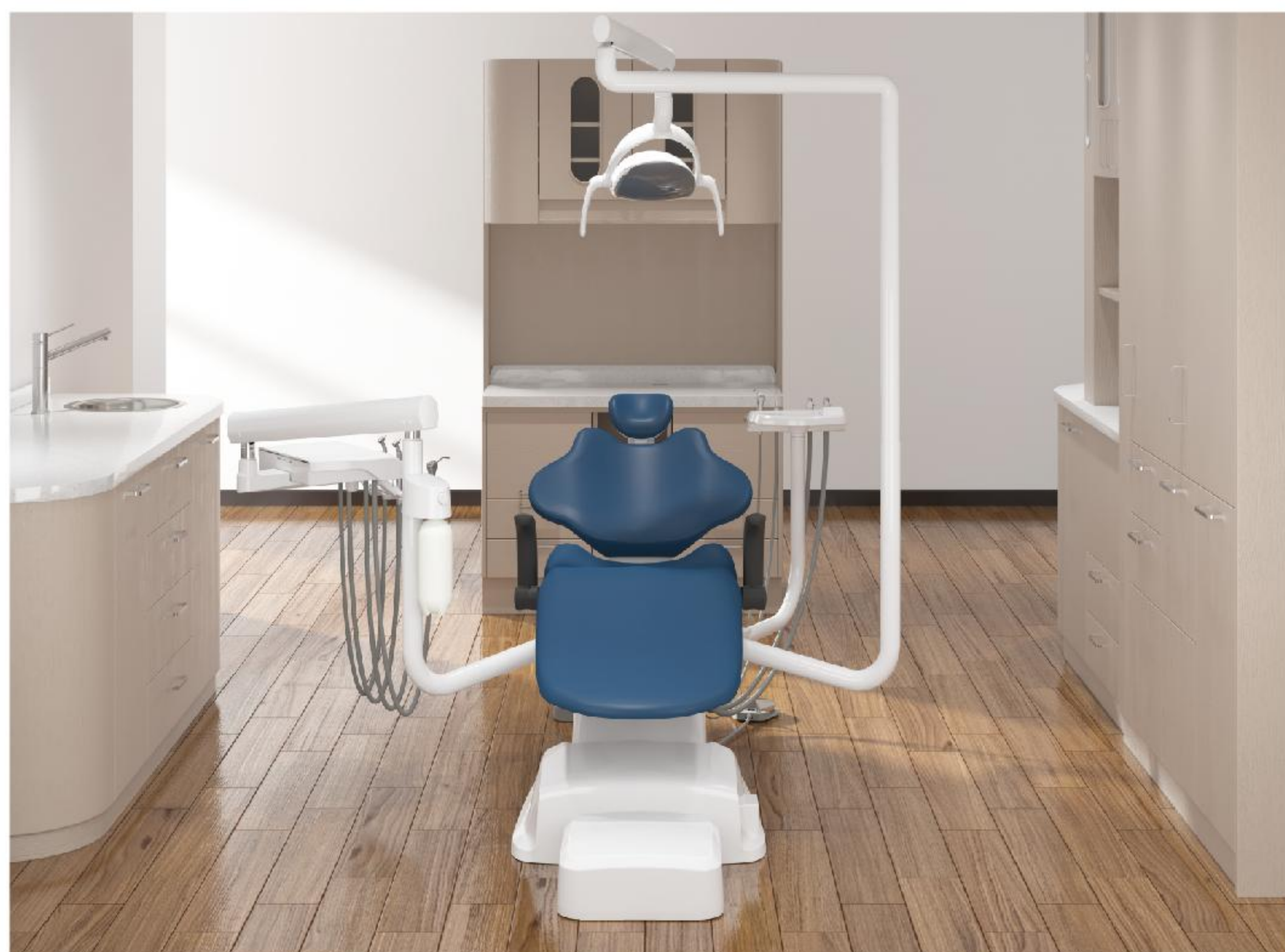
- AJ12 EL chair with 3 programmable positions,
- Articulating headrest, Swing out armrest,
- Steel backrest stand, Steel base plate, Chair safety switch,
- Wide backrest, Upgraded fiber leather,
- One touchpad, Foot control,
- Classic dentist's control head with 3 auto H.P. control,
- Individual water coolant controls,
- Master handpiece air coolant adjustment,
- Asepsis handpiece tubing,
- Master on/off switch, 1 doctor syringe, Remote toggles for cup fill, and bowl rinse, Wet/Dry foot control,
- Stainless steel tray with non-slip pad, Flex arm air brake switch,
- Porcelain cuspidor bowl with strainer, Cup fill & Bowl rinse toggles,
- Classic 101 Post mounted utility (PMU) with steel side box,
- City water/bottled system, Water outlet and air QD, Solids collector,
- 2 HVE, 1SE, 1 syringe on telescoping assistant's control,
- Junction box with air/water filters, regulators, master shut-off valves,
- 5 ft. umbilical,
- Post mount LED light with sensor control, 3 level intensity adjustment

AJ12 Classic 200

Part number : A9122001



Standard Features



- AJ12 EL chair with 3 programmable positions,
- Articulating headrest, Swing up/down aluminium armrest,
- Wide backrest, upgraded fiber leather, Cast iron chair frame,
- Steel backrest stand, Steel base plate, chair safety switch,
- One touchpad, Foot control,
- Swing Classic dentist's control head with 3 auto H.P. control,
- Individual water coolant controls,
- Master handpiece air coolant adjustment,
- Asepsis handpiece tubing,
- Master on/off switch, 1 doctor syringe,
- Wet/Dry foot control, Stainless steel tray with non-slip pad,
- City/bottled water system, 5 ft umbilical,
- Junction box with air/water filters, regulators, master shut-off valves,
- Chair mounted swing rear assistant vacuum package,
- Water outlet and air QD on assistant tray, Solids collector,
- 2 HVE, 1SE, 1 syringe,
- Post mount LED light with sensor control, 3 level intensity adjustment

AJ12 Classic 201

Part number : A9122011



Standard Features



- AJ12 EL chair with 3 programmable positions,
- Articulating headrest, Swing up/down aluminium armrest,
- Wide backrest, upgraded fiber leather, Cast iron chair frame,
- Steel backrest stand, Steel base plate, chair safety switch,
- One touchpad, Foot control,
- Swing Classic dentist's control head with 3 auto H.P. control,
- Individual water coolant controls,
- Master handpiece air coolant adjustment,
- Asepsis handpiece tubing,
- Master on/off switch, 1 doctor syringe,
- Wet/Dry foot control, Stainless steel tray with non-slip pad,
- City/bottled water system, 5 ft umbilical,
- Junction box with air/water filters, regulators, master shut-off valves,
- Swing mount Cuspidor and assistant vacuum package,
- City water/bottled system, Water outlet and air QD, Solids collector,
- 2 HVE, 1SE, 1 syringe on telescoping assistant's control,
- Junction box with air/water filters, regulators, master shut-off valves,
- 5 ft. umbilical,
- Post mount LED light with sensor control, 3 level intensity adjustment

Upholstery Colors



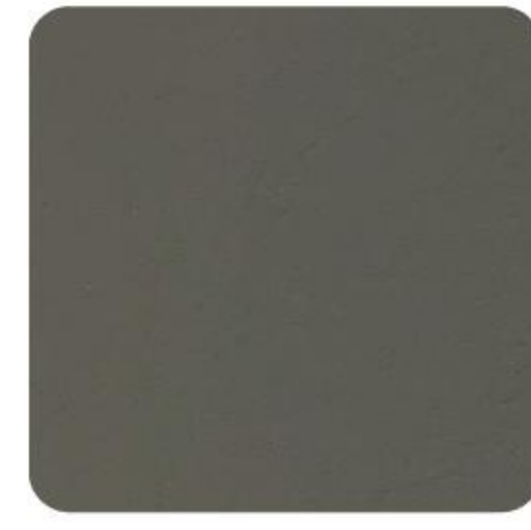
Brown U1



Champagne U2



Blue U3



Grey U5



Cobalt Blue U6



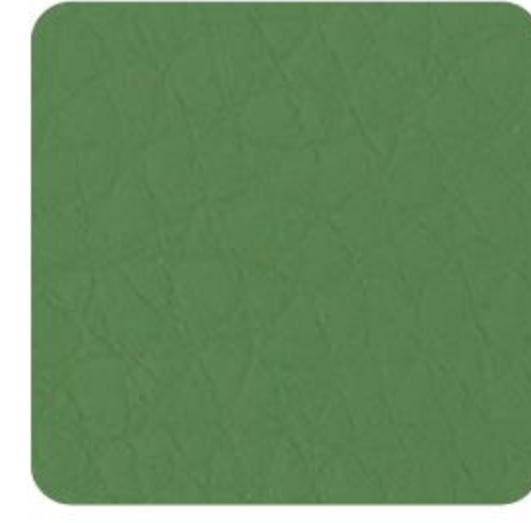
Misty Grey U7



Orange U8



Wine Red U10



Grass Green U11



Black U14



ADS Dental System


 Add: 1590 S Milliken Ave., unit A, Ontario, CA 91761

 www.adsdental.com www.adsequip.com

 E-mail: sales@adsequip.com


 Tel: 626-620-0456

 Technical Support: 800-488-9708 (West Coast: 626-633-7636 East Coast: 626-366-3848)

 Facebook: ADS Dental

 Youtube: ADS Dental System

 Twitter: ADS Dental System

 Instagram: ADS Dental