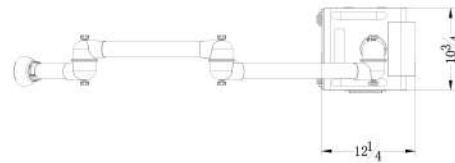
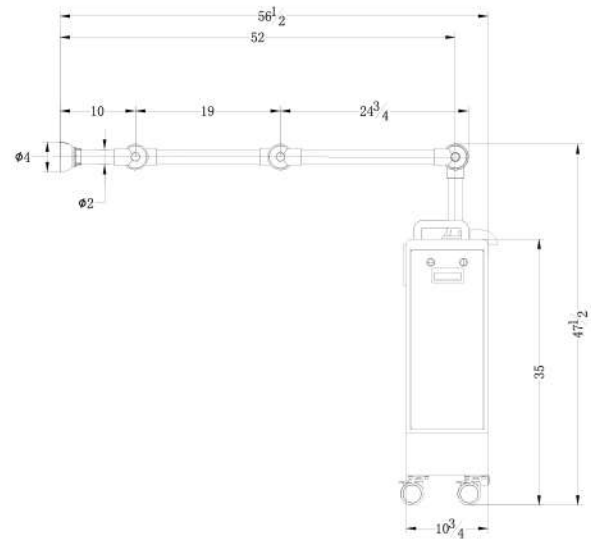
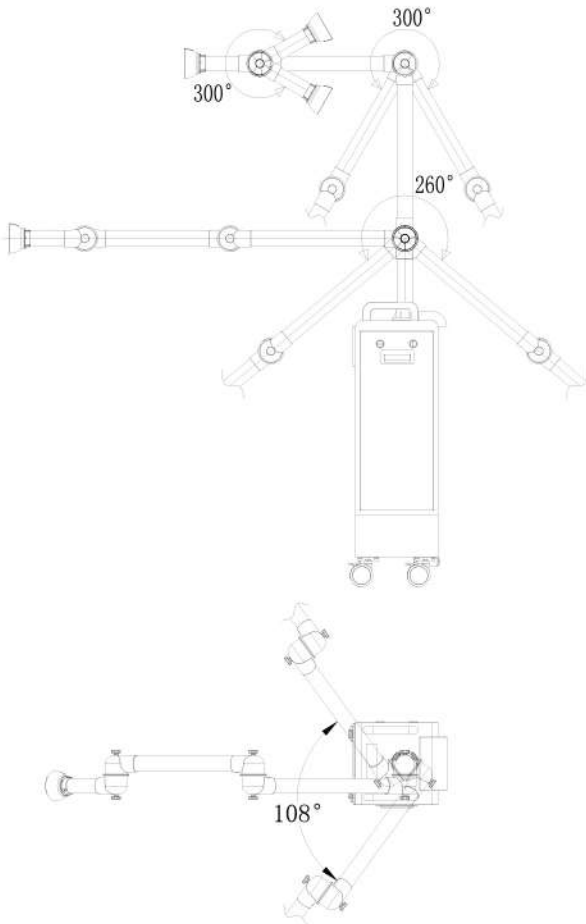


Extraoral Dental Suction System Dimensions

Unit: inch



Add: 1590 S Milliken Ave., unit A, Ontario, CA 91761

☎ Technical support: 800 488 9708 Tel: (626) 620 0456

🌐 www.adsequip.com 🌐 www.adsdental.com

✉ sales@adsequip.com

