



<http://www.adsequip.com/>

Installation Manual of Classic 100/101 Delivery System

Copyrights

ADS makes no warranty of any kind with regard to this material , including but not limited to, the implied warranties of merchantability and fitness for a particular purpose. ADS shall not be held liable for any errors contained herein or any consequential or other damages concerning furnishing, performance or use of this material. The information in this document is subject to change without notice . If you find any problems in the documentation, please report them to us in writing. ADS does not warrant that this document is error-free.

No part of this document may be copied, reproduced, altered, or transmitted in any form or by any means, electronic or mechanical, including photocopying, recording, or by any information storage and retrieval system, without prior written permission from ADS.

The document is intended to be used in conjunction with the equipment.

Comments and feedbacks

Please contact us if you have any feedback and opinions on this document:

Add: 1590 S Milliken Ave., unit A, Ontario, CA91761

Tel: (626) 620 0456

E-mail : sales@adsequip.com

<http://www.adsequip.com/>

Product service

If you want to get service information, please contact the local dealer authorized by ADS company.

Technical support tel: 800 488 9708

CONTENTS

| | | |
|----------|--------------------------------------|-----------|
| 1 | Introduction..... | 1 |
| | 1.1 Products information..... | 1 |
| | 1.2 Symbols explanation..... | 1 |
| 2 | Compositions..... | 3 |
| 3 | Sizes | 4 |
| 4 | Specifications..... | 6 |
| 5 | Preparations..... | 6 |
| | 5.1 Attentions..... | 6 |
| | 5.2 Tools recommended..... | 7 |
| | 5.3 Installation sequence..... | 8 |
| 6 | Installation..... | 9 |
| | 6.1 Fix the chair adapter..... | 9 |
| | 6.2 Install the water unit..... | 10 |
| | 6.3 Install the assistant unit..... | 11 |
| | 6.4 Install the dentist unit..... | 13 |
| | 6.5 Install cuspidor..... | 17 |
| | 6.6 Install dental light..... | 20 |
| | 6.7 Install junction box..... | 24 |
| 7 | Water & air diagrams..... | 25 |

1 Introductions









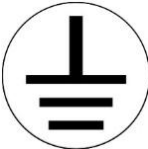


1.1 Products information

- Name:** Delivery system
- Model:** Classic100/101
- Working condition requirements:**
 - ① Ambient temperature: 5 °C~40 °C;
 - ② Relative Humidity: ≤ 80%;
 - ③ Nominal Voltage: AC110 V±22 V;
 - ④ Nominal Frequency: 60 Hz±1 Hz;
 - ⑤ Water Pressure: 29 psi~58 psi;
 - ⑤ Input air pressure 72.5 psi~101.5 psi , Air flow ≥50 L/min;

| Unit conversion | |
|-----------------|--------|
| MPa | psi |
| 0.2MPa | 29psi |
| 0.4MPa | 58psi |
| 0.6MPa | 87psi |
| 0.8MPa | 116psi |

1.2 Symbols explanation

Table 1

| | | |
|---|--|---|
|  Manufacturer |  EU Representative |  Notice |
|  Manufacturing Date |  Serial Number |  Avoid Electric Shock |
|  Handle with Care |  Keep dry |  Ground protection |
|  Refer to introductions |  Refer to attached documents | |

2 Compositions

The system is composed by following components.

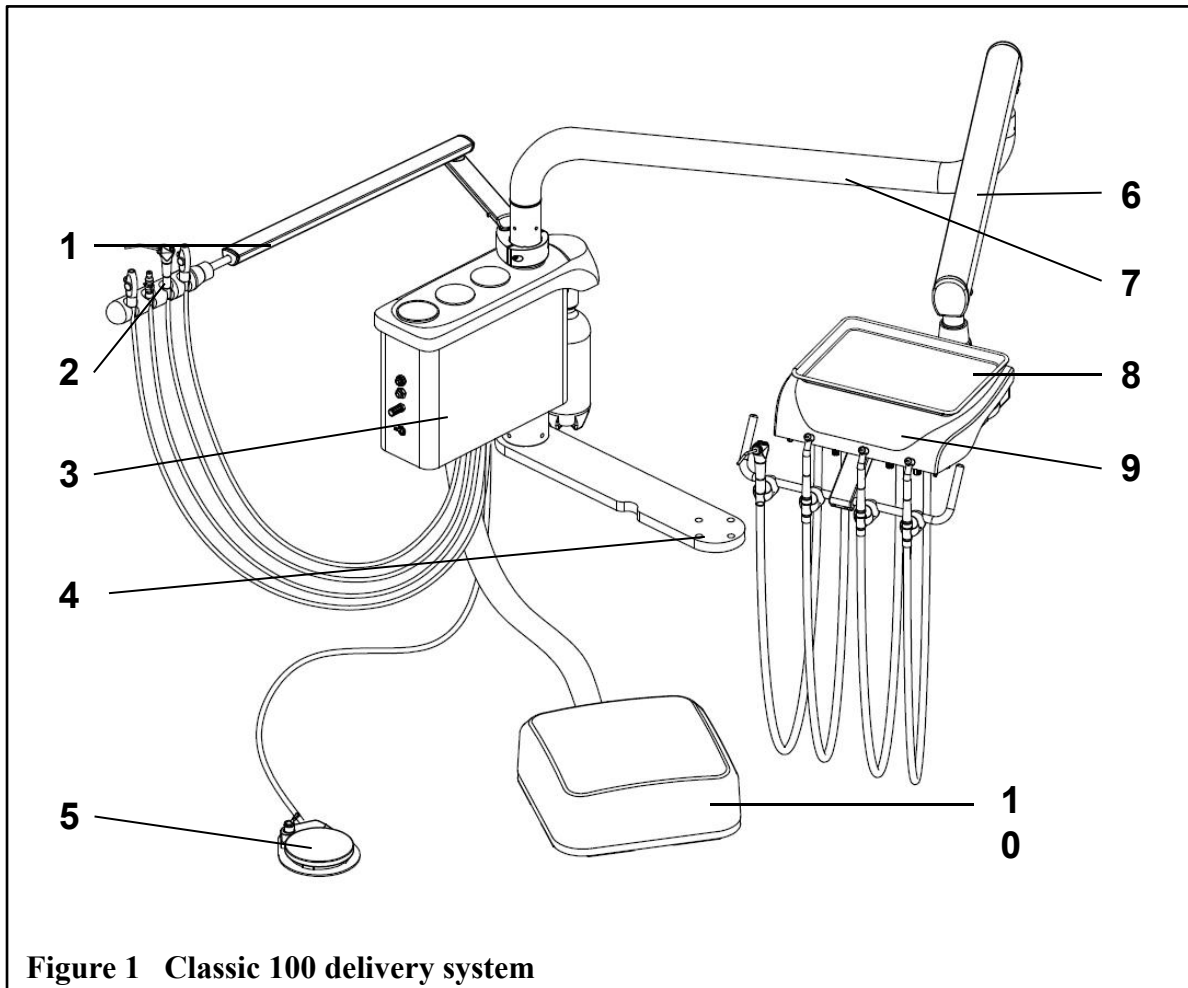


Figure 1 Classic 100 delivery system

| Item | Component | Item | Component |
|------|------------------------------|------|---------------|
| 1 | Assistant arm | 6 | Level arm |
| 2 | HVE,SE valves, 3-way syringe | 7 | Rotary arm |
| 3 | Water unit | 8 | Delivery head |
| 4 | Chair adpter | 9 | H.P hoses |
| 5 | Foot control | 10 | Junction box |

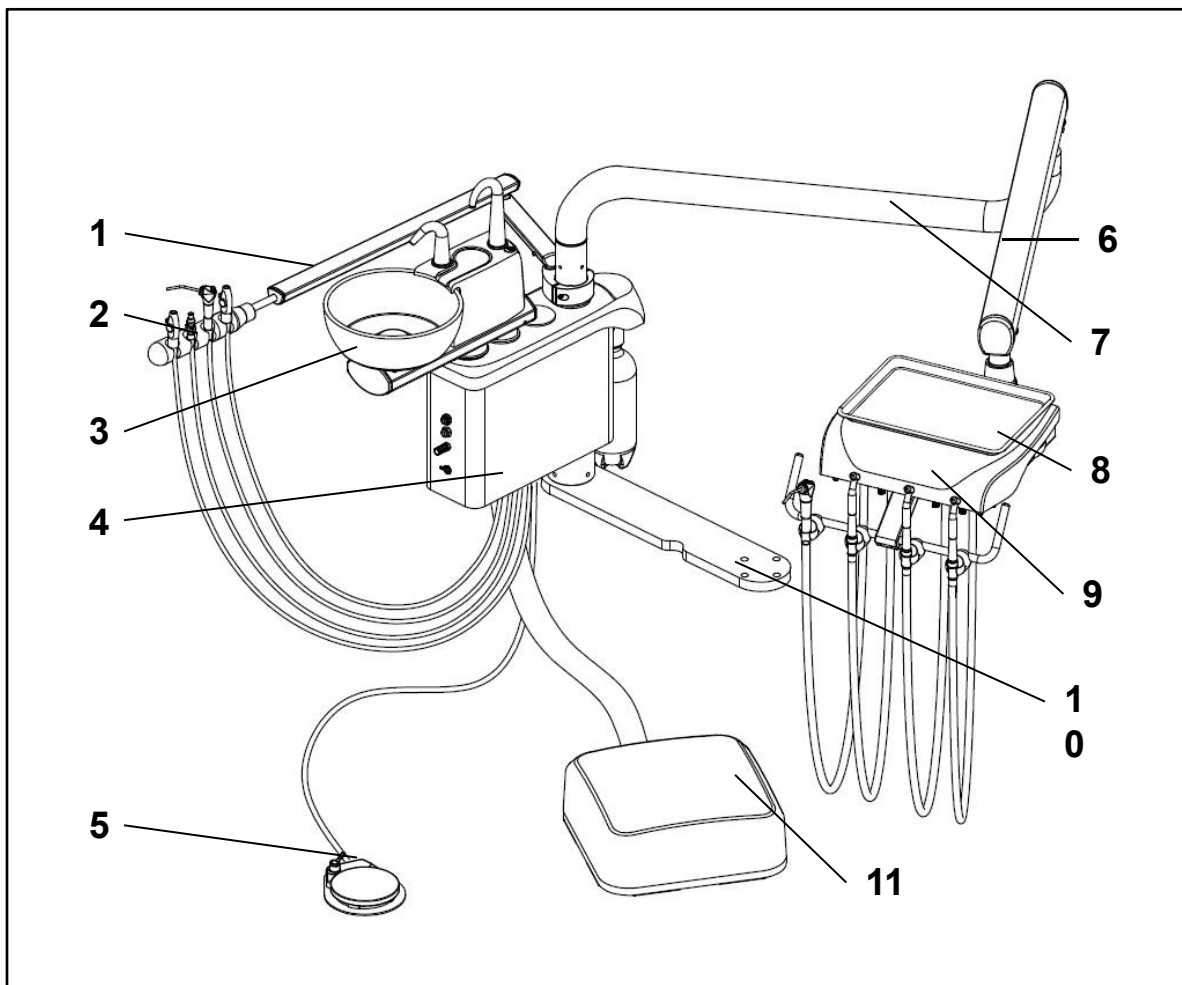


Figure 2 Classic 101 delivery system

| Item | Component | Item | Component |
|------|------------------------------|------|-----------------|
| 1 | Assistant arm | 7 | Rotary arm |
| 2 | HVE,SE valves, 3-way syringe | 8 | Instrument tray |
| 3 | Cupidor | 9 | Delivery head |
| 4 | Water unit | 10 | Chair adapter |
| 5 | Foot control | 11 | Junction box |
| 6 | Level arm | | |

3 Specifications

Figure 3 Classic 100

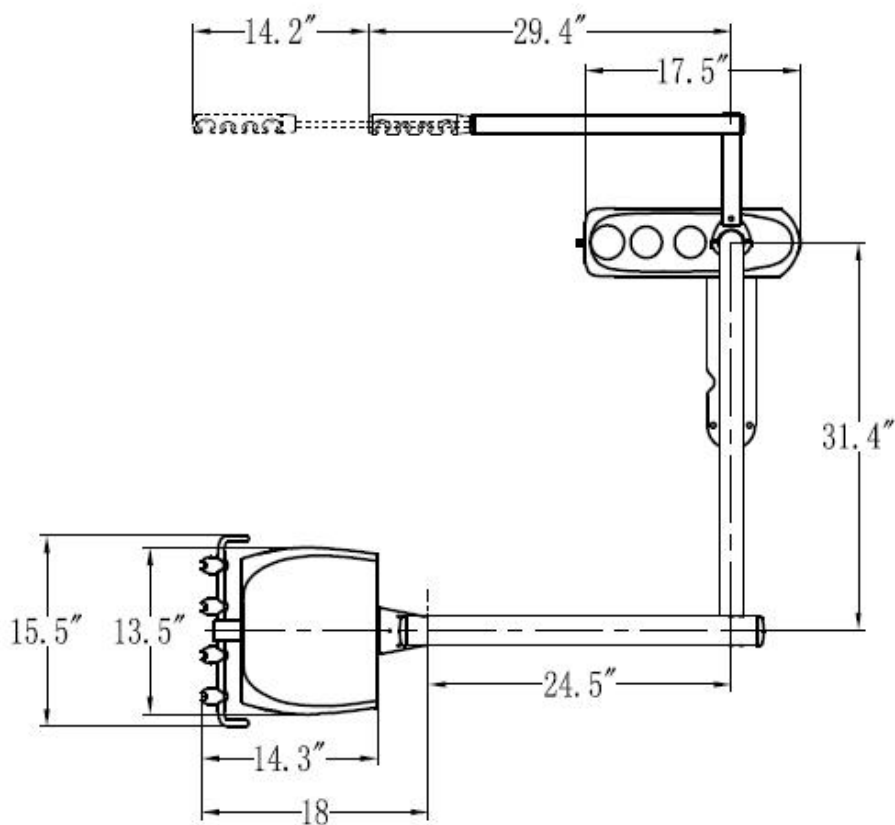
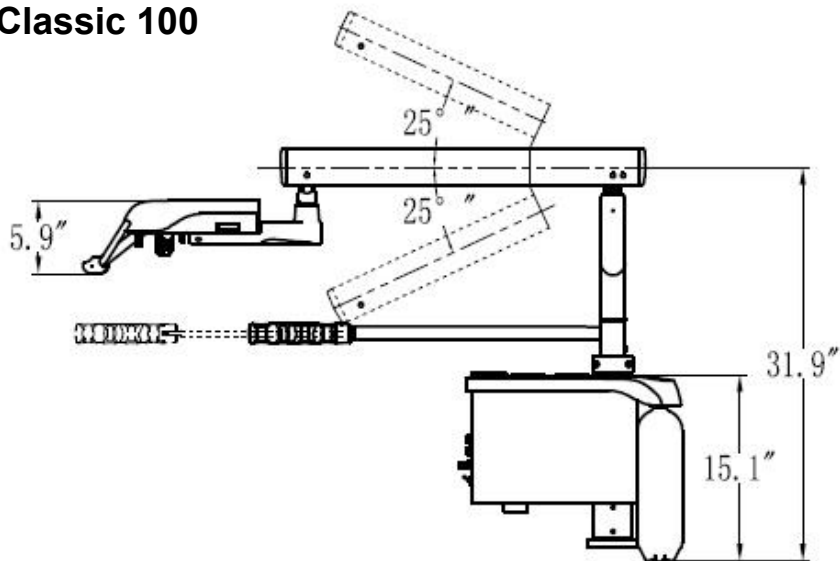
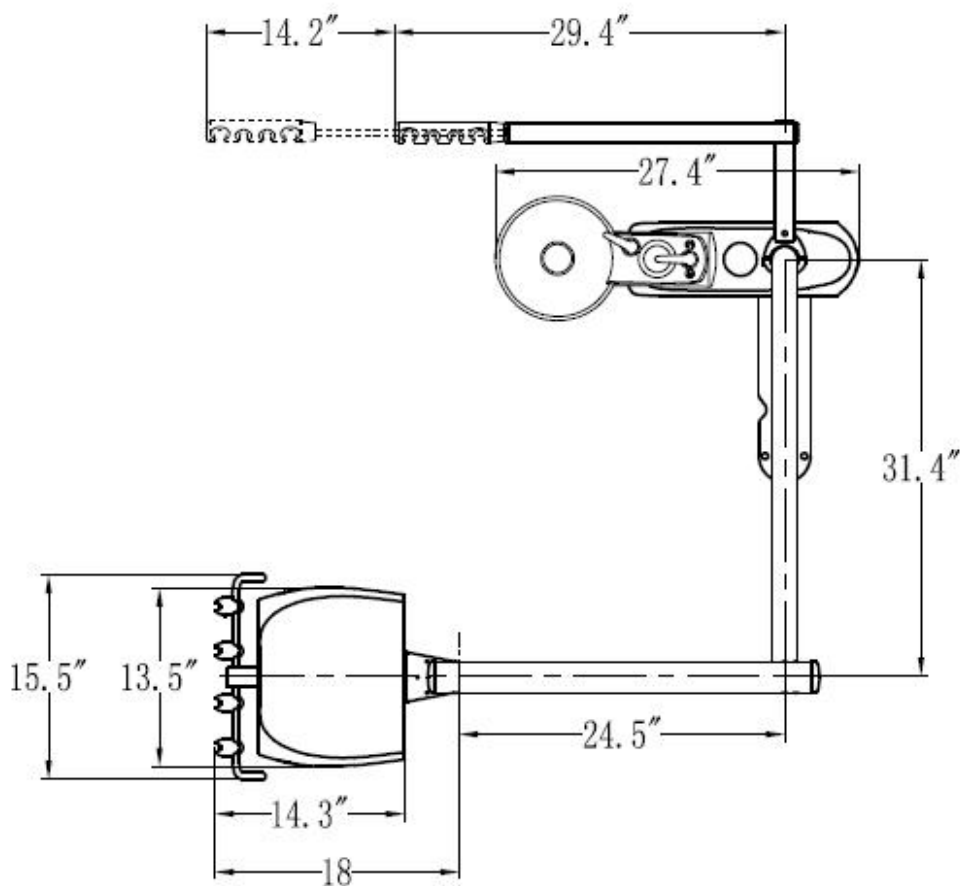
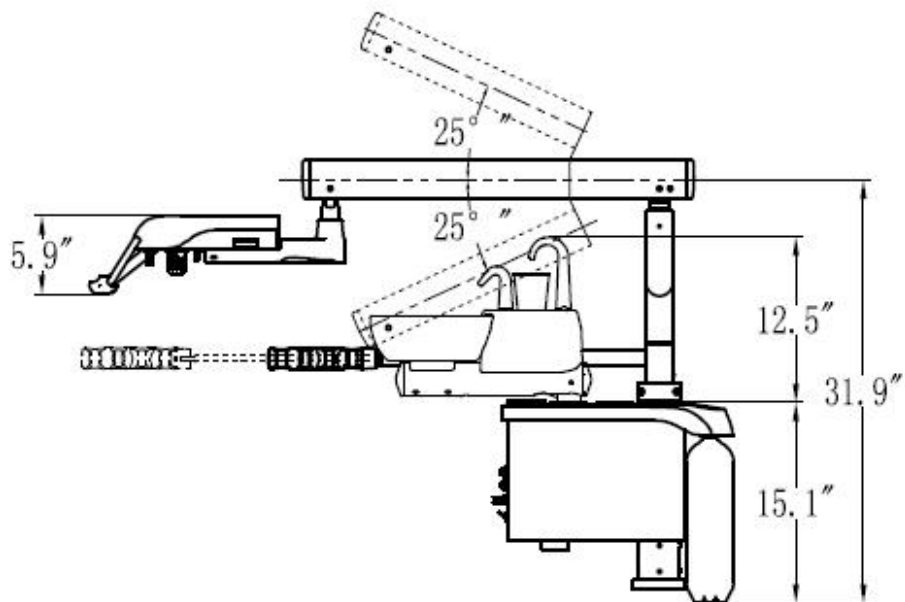


Figure 4 Classic 101



4 Specifications

Table 2

| | |
|---------------------------|--------------------|
| Light illuminance | 8000-40000 Lux |
| Max load of delivery head | 2.5kg |
| Ambient temperature | 5 °C~40 °C |
| Air supply pressure | 72.5 psi~101.5 psi |
| Water supply pressure | 29~58 psi |

5 Preparations

5.1 Attentions

Before install the unit, you should:



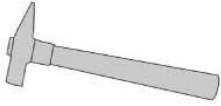
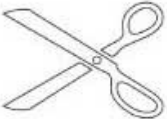






- Clear all the debris in the room ,and clean the floor thoroughly.
- Apply two manually operated valves for the air and water source.
- Exhaust the dirty water and air before connecting.

Before install the unit, please read the manual carefully:

- Input voltage AC110 V, 60 Hz.
- Make sure the dental unit is in good grounding.
- All the electrical components and connections should be made by an authorized technician.
- Only fuses and accessories recognized by ADS technician can be used.
- This device should not operate in the environment of high temperature, high humidity, vibration, flammability, unbalance, or dusty.
- Only the authorized spare parts can be used in this device.
- This device can not be used in the environment of strong magnetic, electromagnetic.

5.2 Tools recommended

The tools and instruments need to prepare before installation.

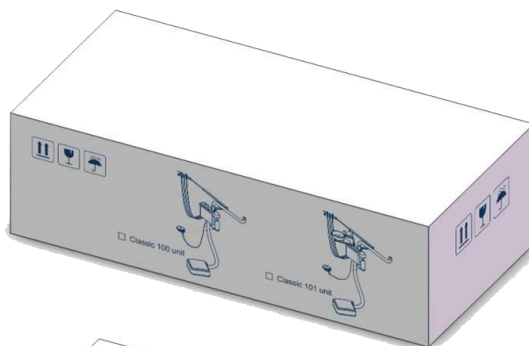
| | | | |
|---|----------------------|--|--------------------------|
|  | Electrical drill |  | Pincers |
|  | Hammer |  | Scissors |
|  | Leveling instrument |  | Flat-bladed Screw driver |
|  | Phillip screw driver |  | Allen wrench |
|  | Spanner |  | Hexagon socket wrench |

5.3 Installation sequence

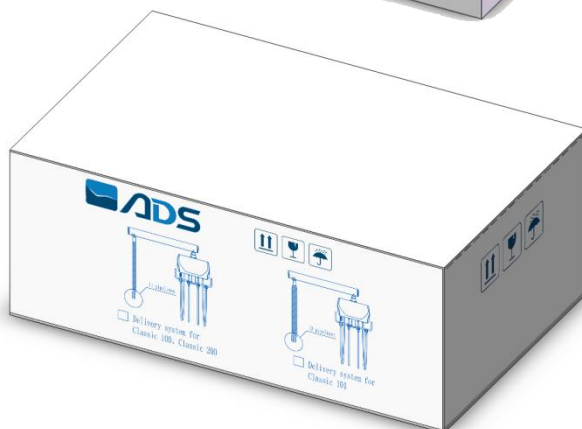
Installing packages of the Beyond 400 system. Please install these packages as the sequence below.

Figure 5 Installing Packages

1 Classic side box unit




2 Classic dentist unit



3 Dental light unit (optional)



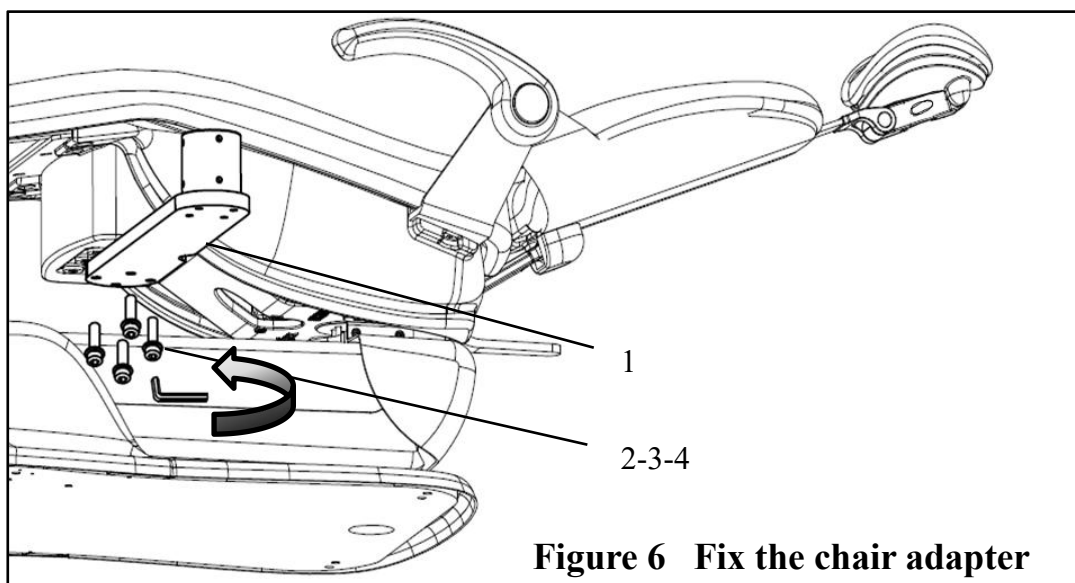
 **Notice:**
Each box contains all the parts that belong to the package .

6 Installation

It is necessary to check whether the system and its accessories are damaged after unpacking. In addition, please check all accessories according to the accessories list. Please install the unit in following orders.

6.1 Fix the chair adapter

1. The system should be mounted to left side of the dental chair.
2. Fix the adapter on the chair frame with screws.



Tool:
8mm Allen wrench

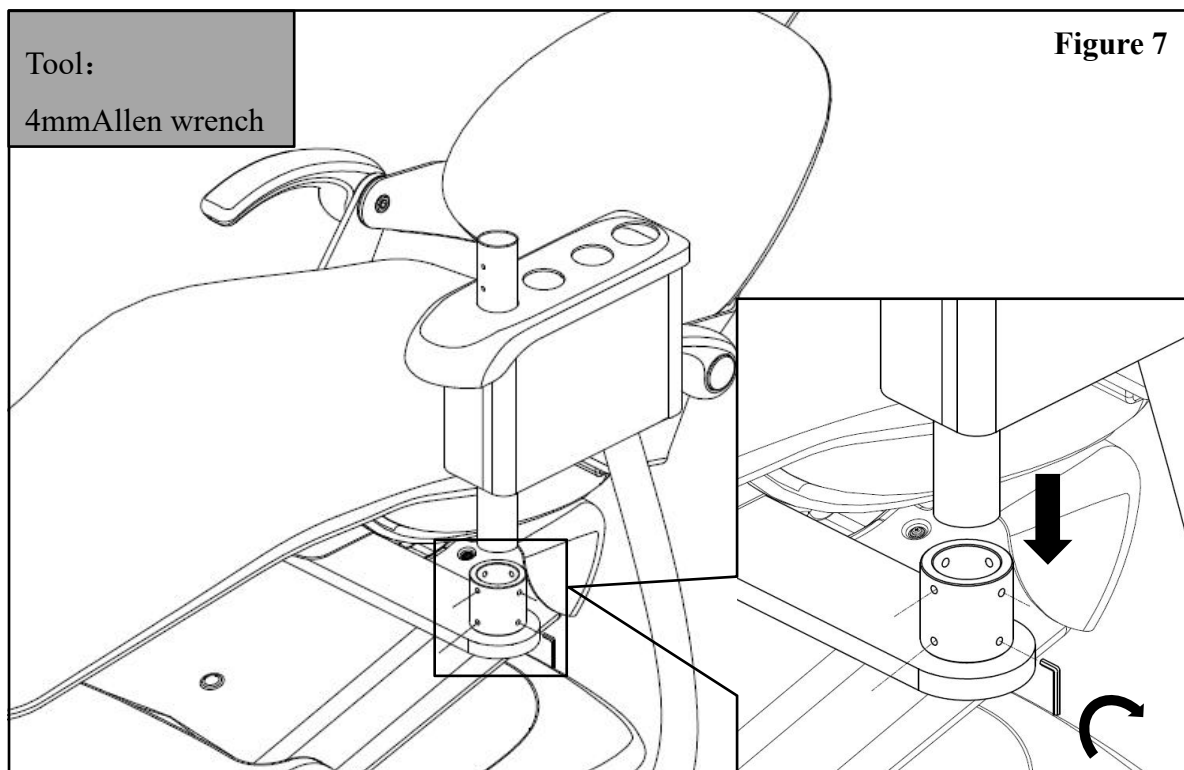
| | |
|---|---------------------------------|
| 1 | Chair adapter |
| 2 | M10*40 Hexagon socket cap screw |
| 3 | Φ10 Spring washer |
| 4 | Φ10 Plane washer |



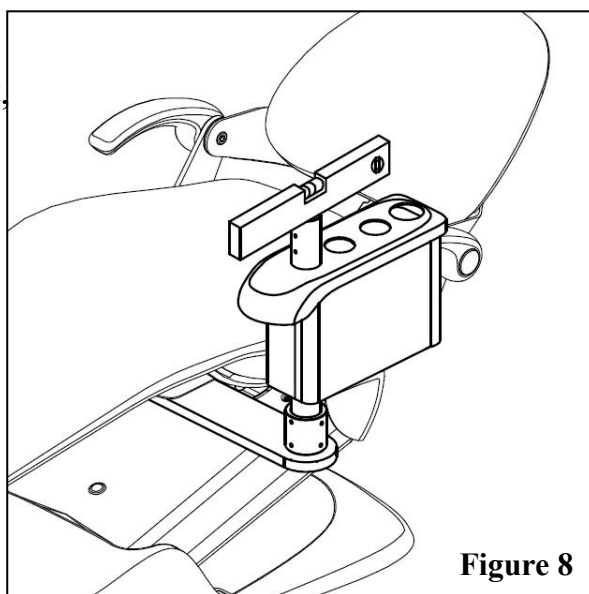
Attention: Completely tighten the screws to avoid water unit loosening during operation.

6.2 Install the water unit

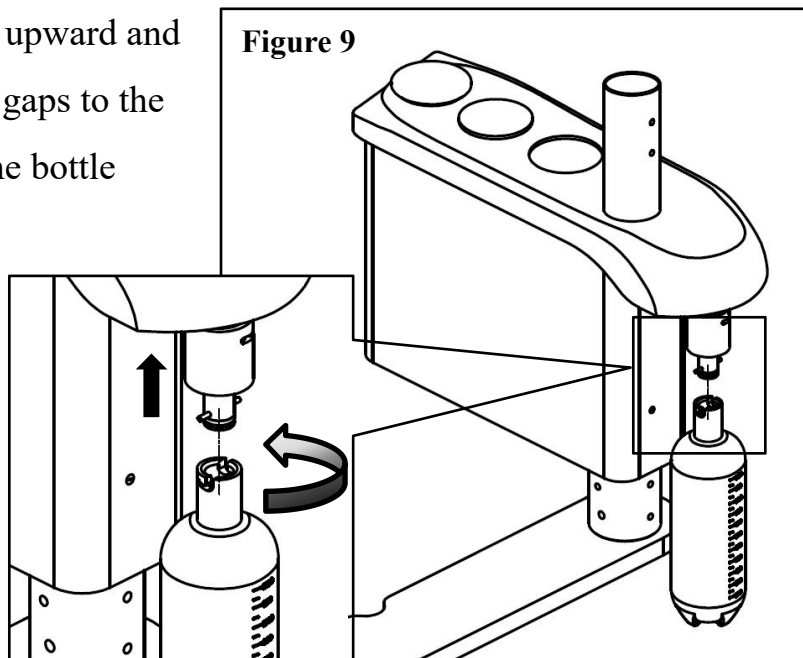
1. Insert the post of the water unit into the right position on the adapter, and fix it with eight M8*10 set screws.



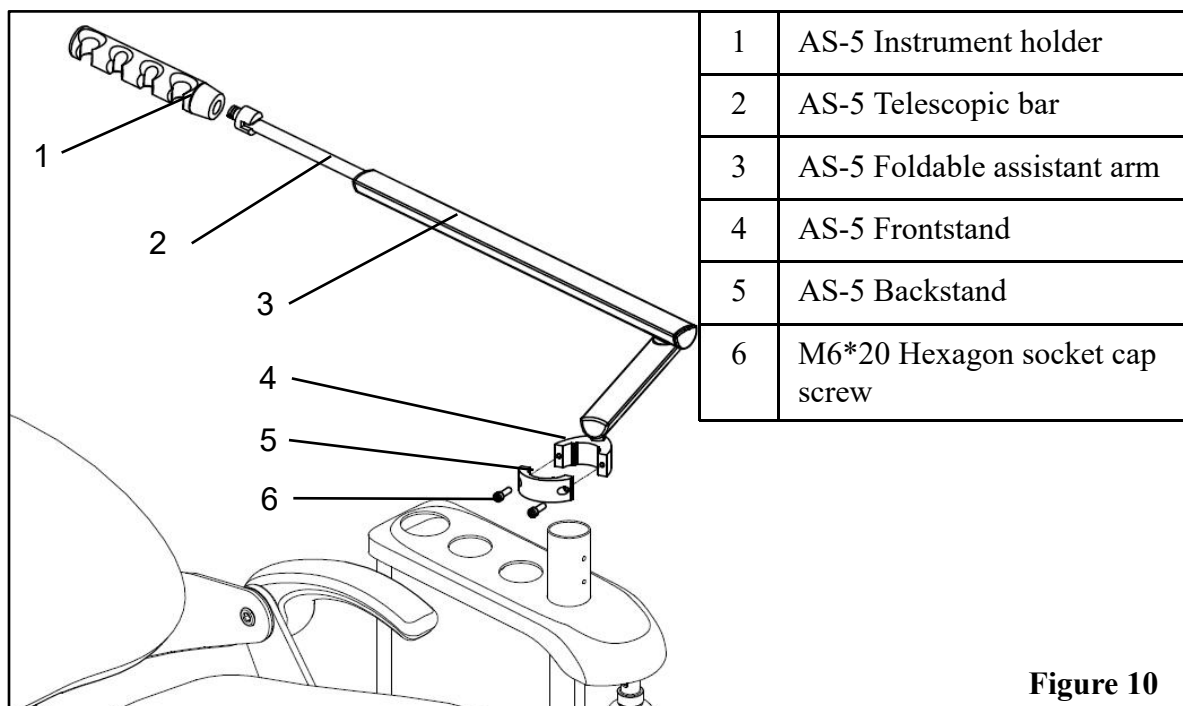
2. Check the levelness of the water unit through a leveling instrument, change the levelness by adjusting the screws on the post.



3. Hold the water bottle upward and align the bottle head gaps to the fixing pins, swivel the bottle clockwise to fix it.



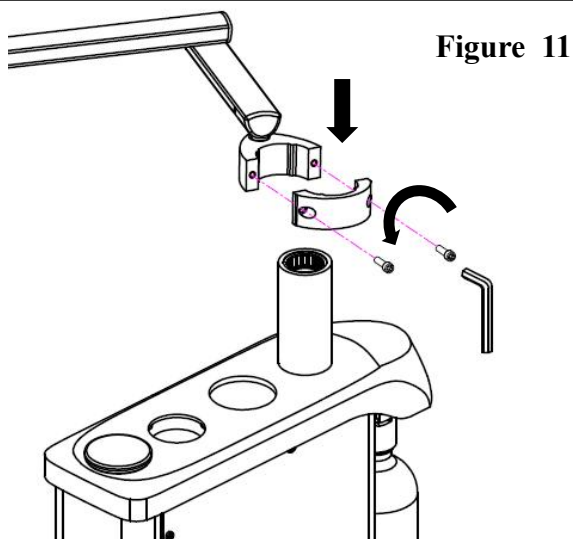
6.3 Install the assistant unit



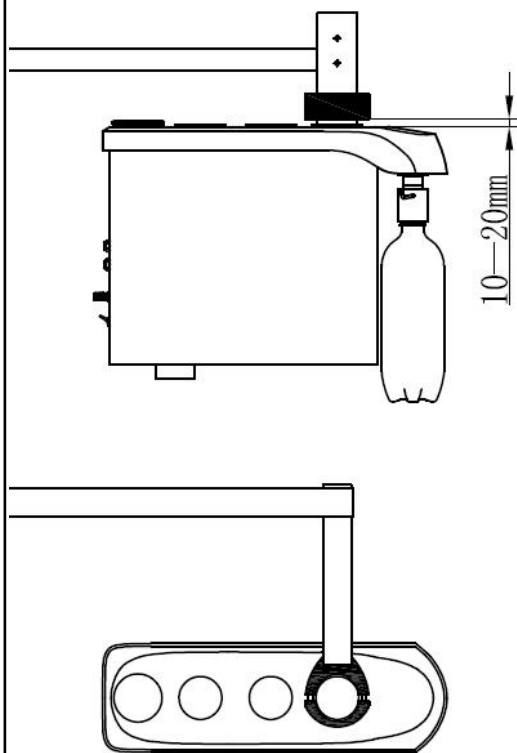
1. Take out the assistant unit from the carton, loosen the screws counterclockwise to divide the frontstand and backstand so that the arm can be installed on the post of the side box.

Tool:

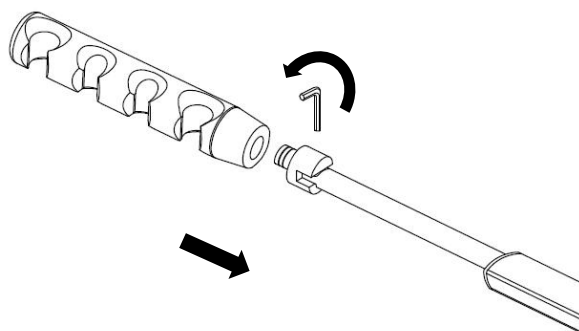
5mm Allen wrench



2. The height of the frontstand and backstand to the top surface of water unit should be 10~20mm; tighten the screw in clockwise.



3. Insert Instrument holder into mounting shaft and lock fastening screw.



4. Put the HVE & SE valves and 3-way syringe to the holder.

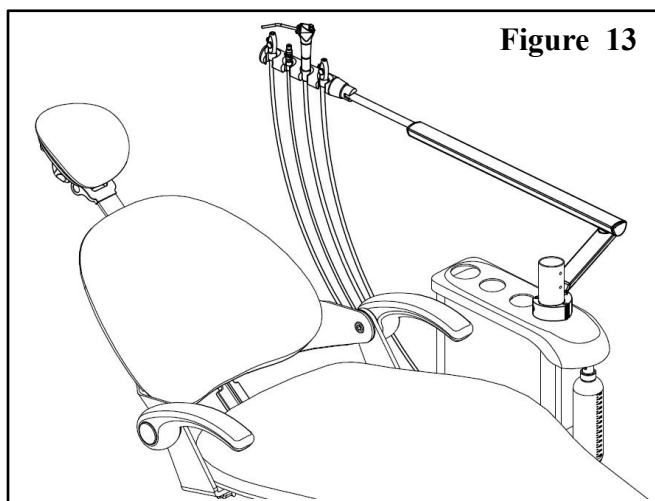


Figure 13

6.4 Install the dentist unit

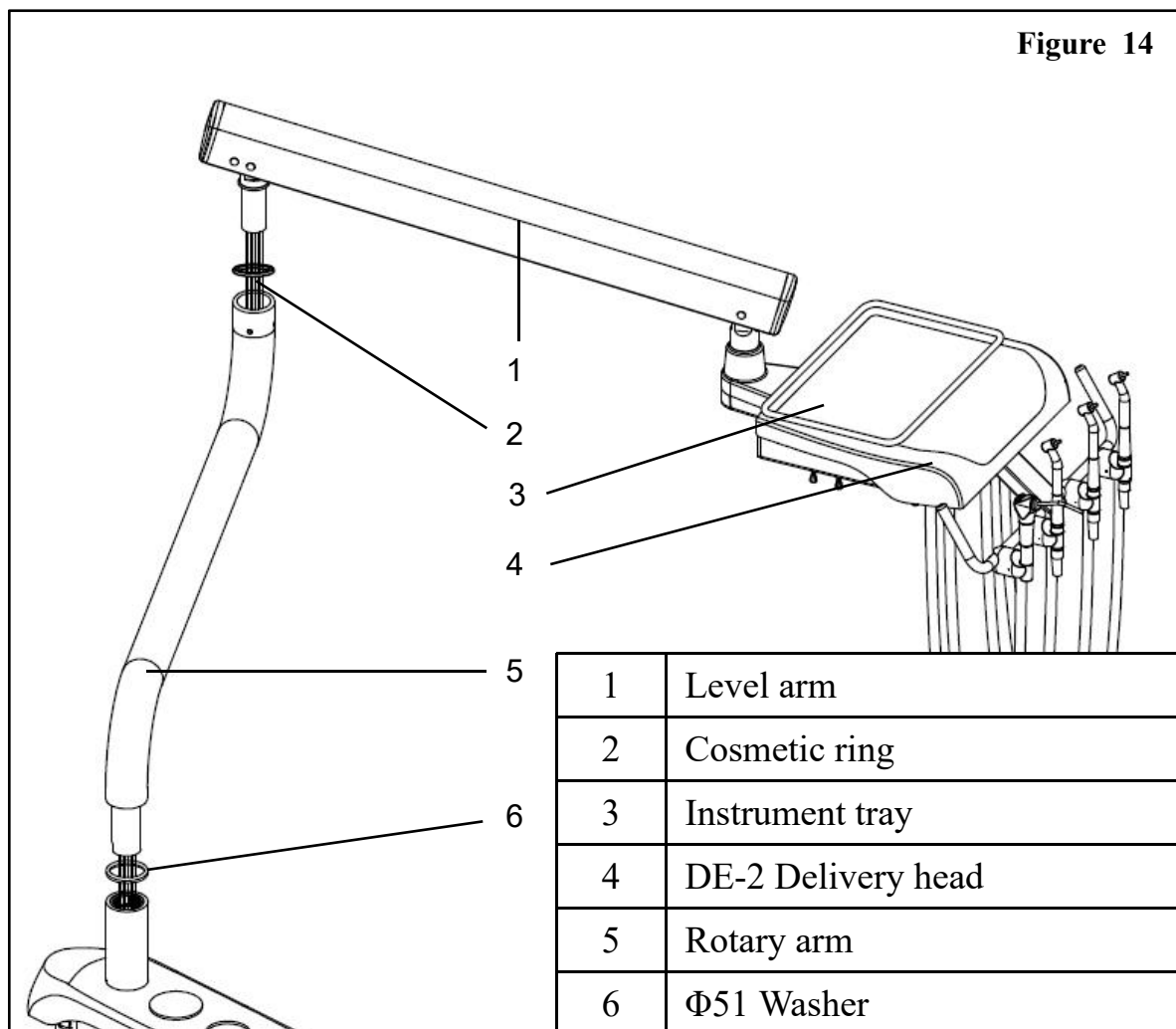


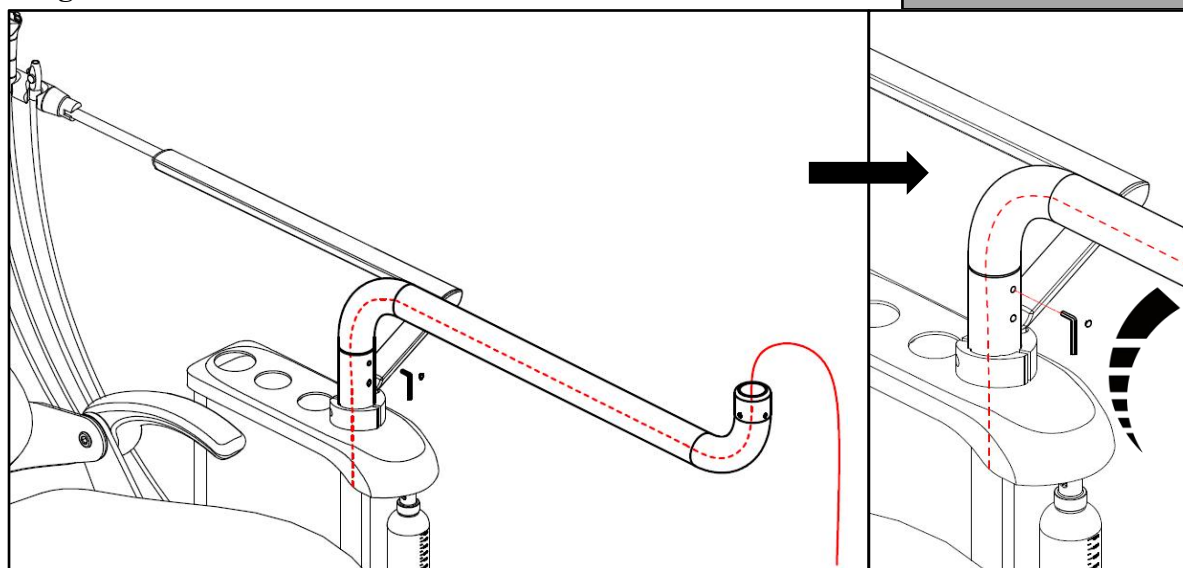
Figure 14

| | |
|---|--------------------|
| 1 | Level arm |
| 2 | Cosmetic ring |
| 3 | Instrument tray |
| 4 | DE-2 Delivery head |
| 5 | Rotary arm |
| 6 | Φ51 Washer |

1. Mount the rotary arm to the post of side box and fix it with two M6*8 set screws, then insert two M6 plugs. Reserve the guide line.

Note: The tension of set screws affects the damping force of the rotary arm .

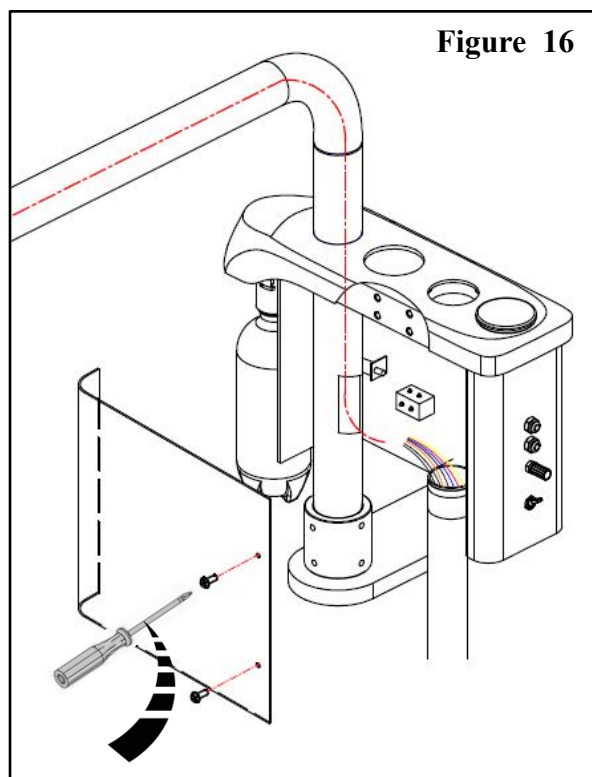
Figure 15



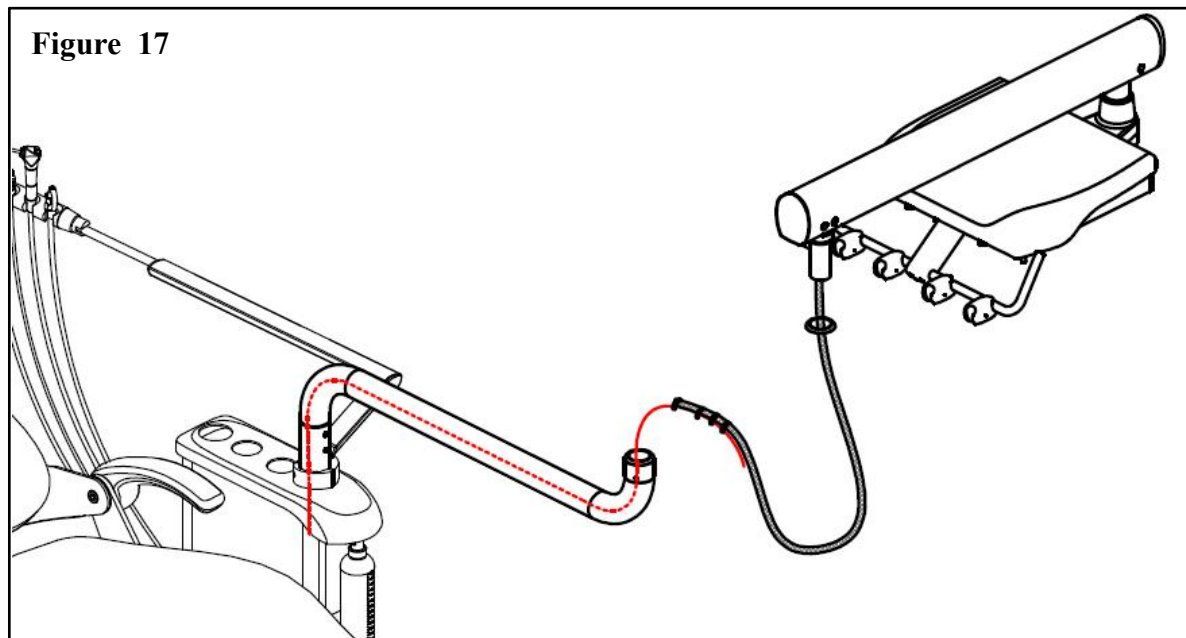
2. Loosen the two screws to remove the cover of the side box, pull out the guide line from the hole of the post.

Note: Do not throw the screws away.

tool:
Philip screw driver



3. Let the wire of level arm pass through a cosmetic ring and bind it with the guide line, pull the guide line to route the wire through the rotary arm.

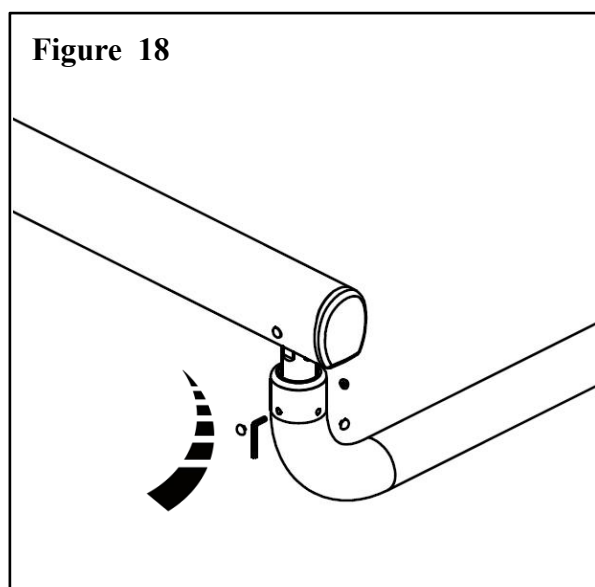


4. Joint the level arm and the rotary arm with three M6*8 set screws, tighten the screws in clockwise.

Note: Tension of the M6 set screw affects the damping force of the rotary arm.

Tool:

3mm Allen wrench



- Pull out the tubes and wires from the hole of the post, connect the tubes by color and joint the wire terminals.

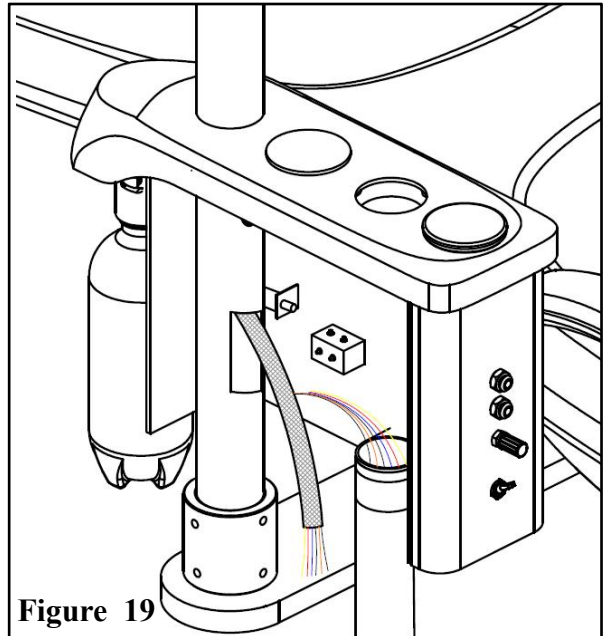


Figure 19

Classic 100/101

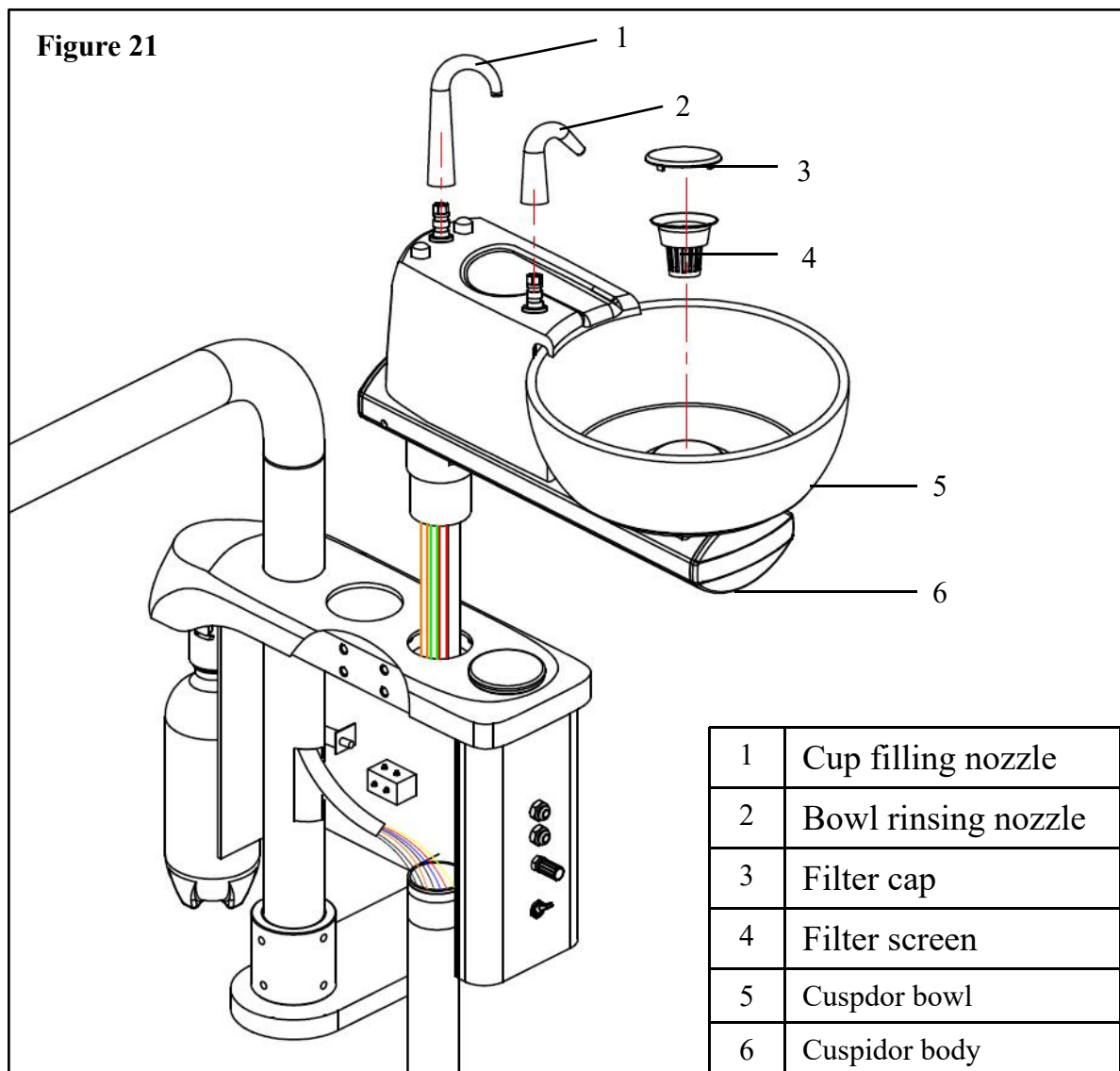
| Tubes of dentist unit | | Tubes of water unit | |
|-----------------------|-----|---------------------|--|
| | 1# | | 1. 1/8" white |
| | 2# | | 2. 1/8" brown |
| | 3# | | 3. 1/8" red |
| | 4# | | 4. 1/8" orange |
| | 5# | | 5. 1/8" black |
| | 6# | | 6. 1/8" blue |
| | 7# | | 7. 1/8" yellow |
| | 8# | | 8. 1/4" black |
| | 9# | | 9. Control wire of delivery head |
| | 10# | | 10. 7 core power cord |
| | 11# | | 11. Ground wire |
| Classic 101 | 12# | | 12. 1/4" red, for cuspidor |
| | 13# | | 13. 1/4" orange, for cuspidor |
| | 14# | | 14. 1/4" Green, for cuspidor |
| | 15# | | 15. Drainage pipe, connect to cuspidor |
| | 16# | | 16. Drainage pipe, connect to filter |

Figure 20

6.5 Install Cuspidor



Note: Please ignore this step if there is no cuspidor configuration.



1. Pass the tubes through the mounting hole and place the connecting shaft into the mounting base .
2. Connect the tubes to thoses from delivery head and water unit by color. Fasten the laryngeal buckle of the cuspidor drainage pipe.

Figure 22

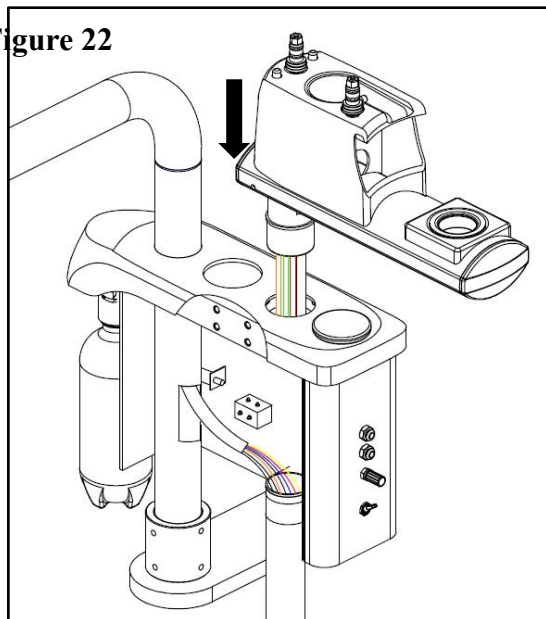
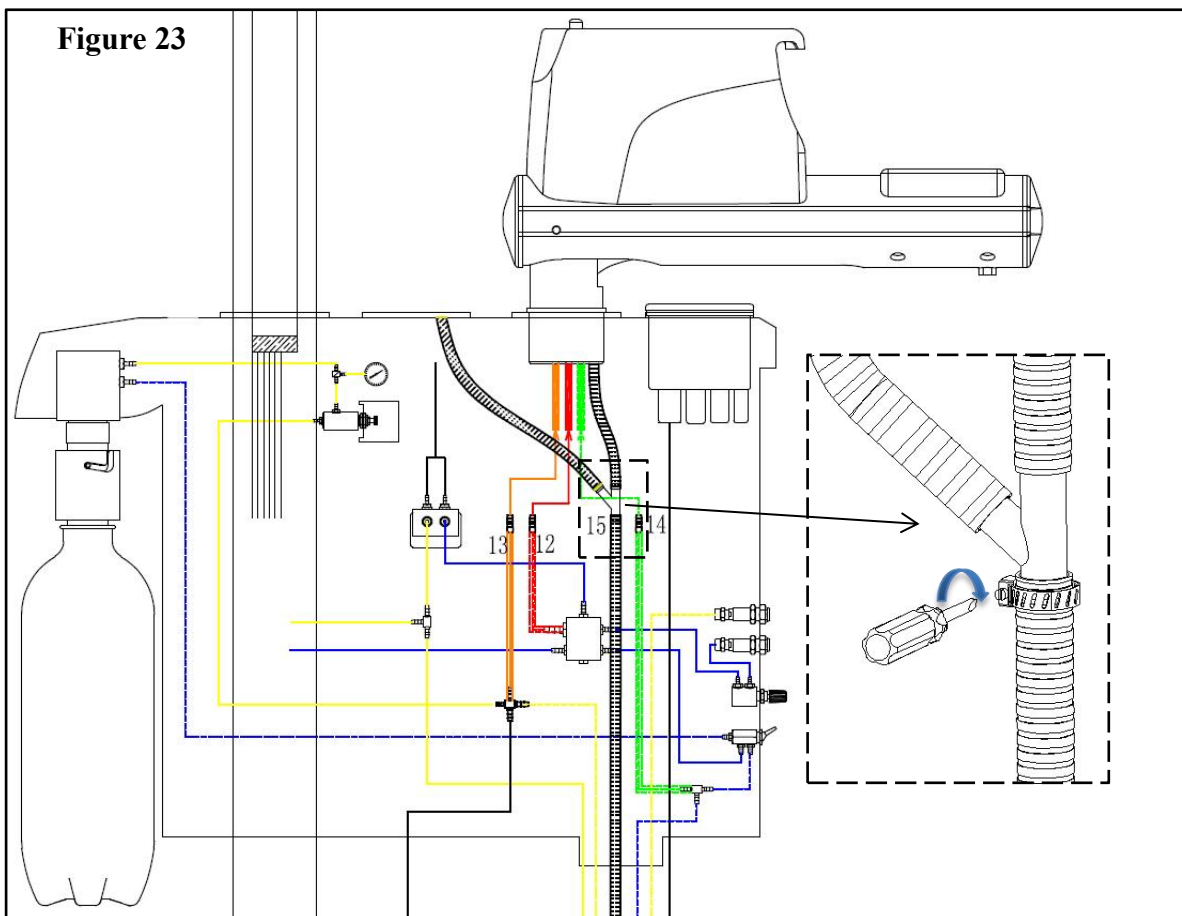
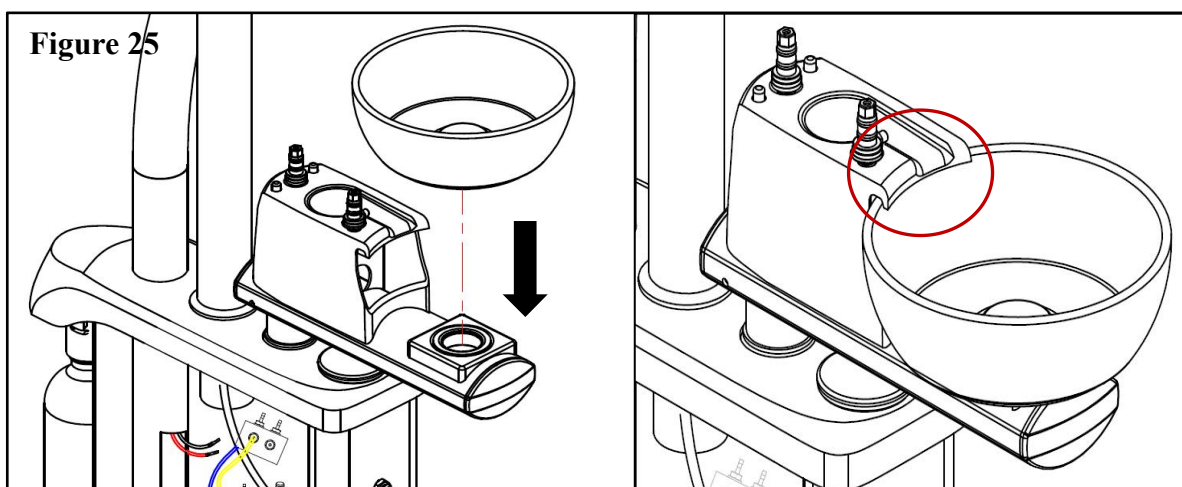
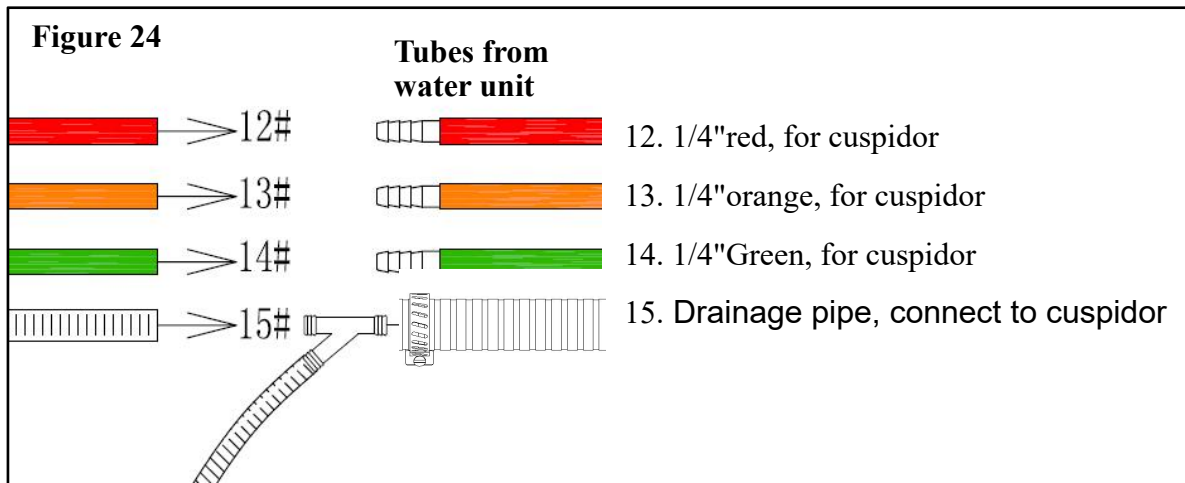


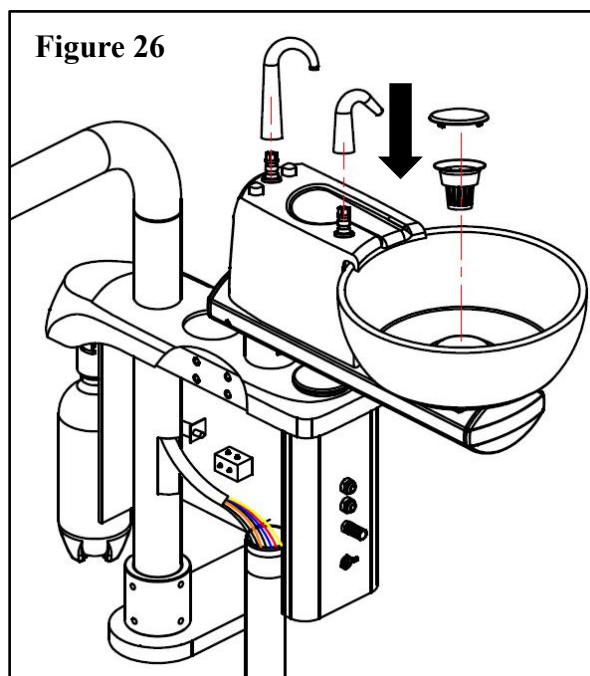
Figure 23





3. Place the cuspidor bowl to its position and fix it on its upper edge.

4. Mount the cup filling nozzle, the bowl rinsing nozzle, the filter cap and the filter screen as the figure shown.

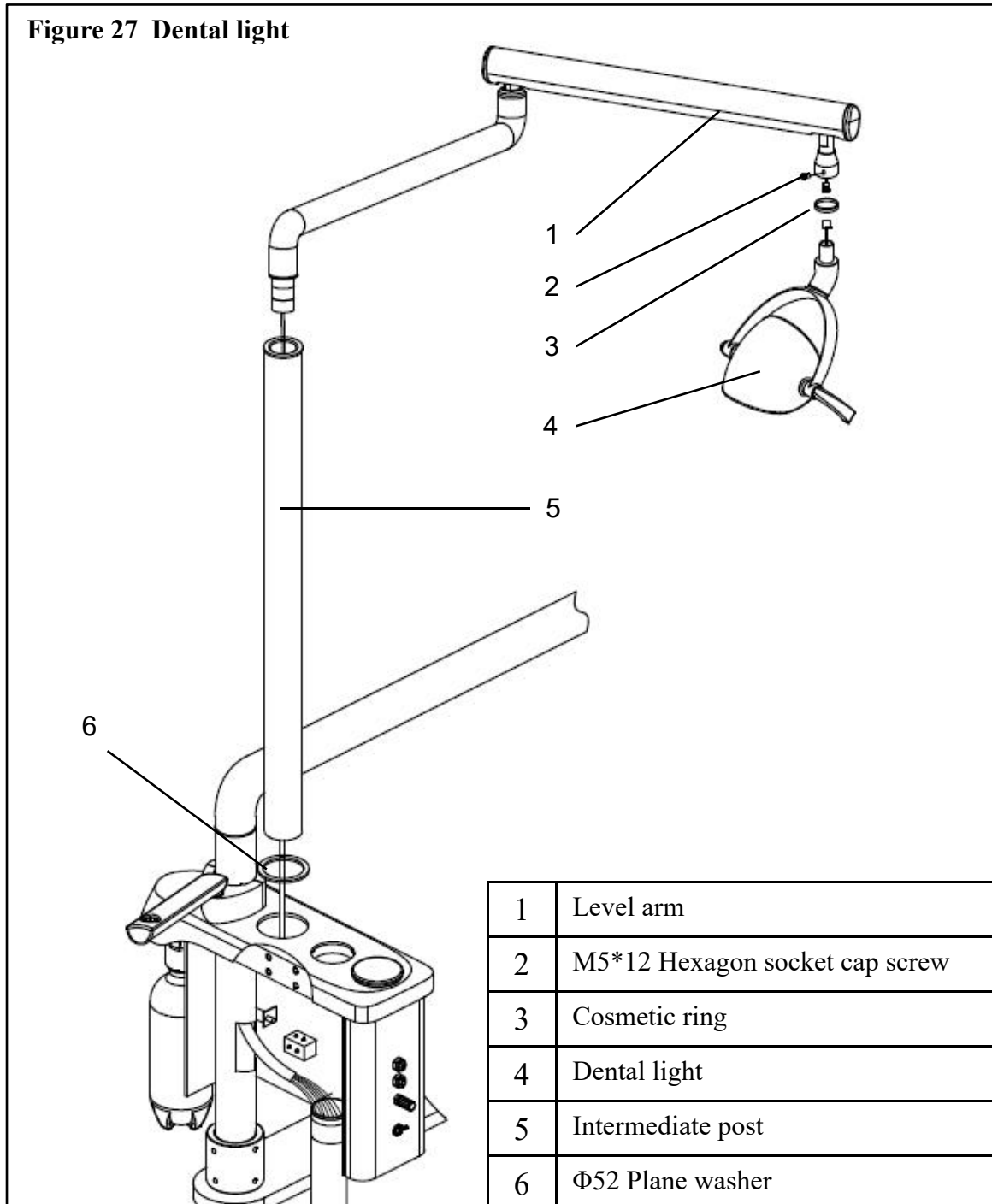


6.6 Install dental light

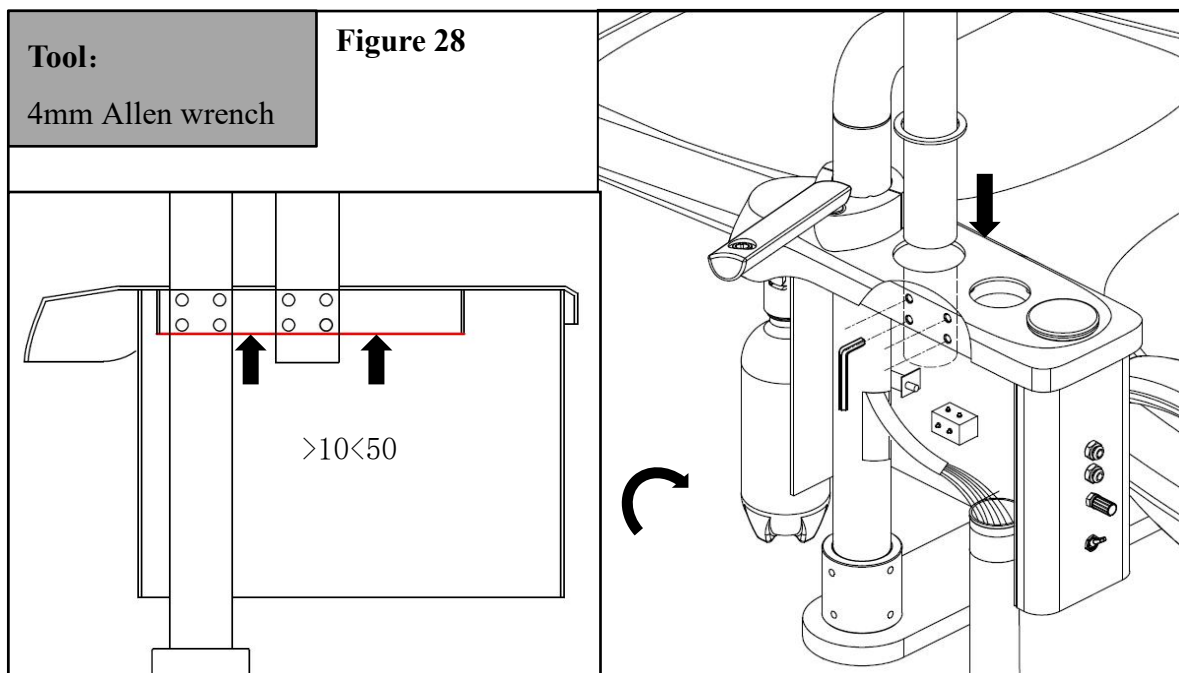


Note: Please ignore this step if there is no lamp configuration.

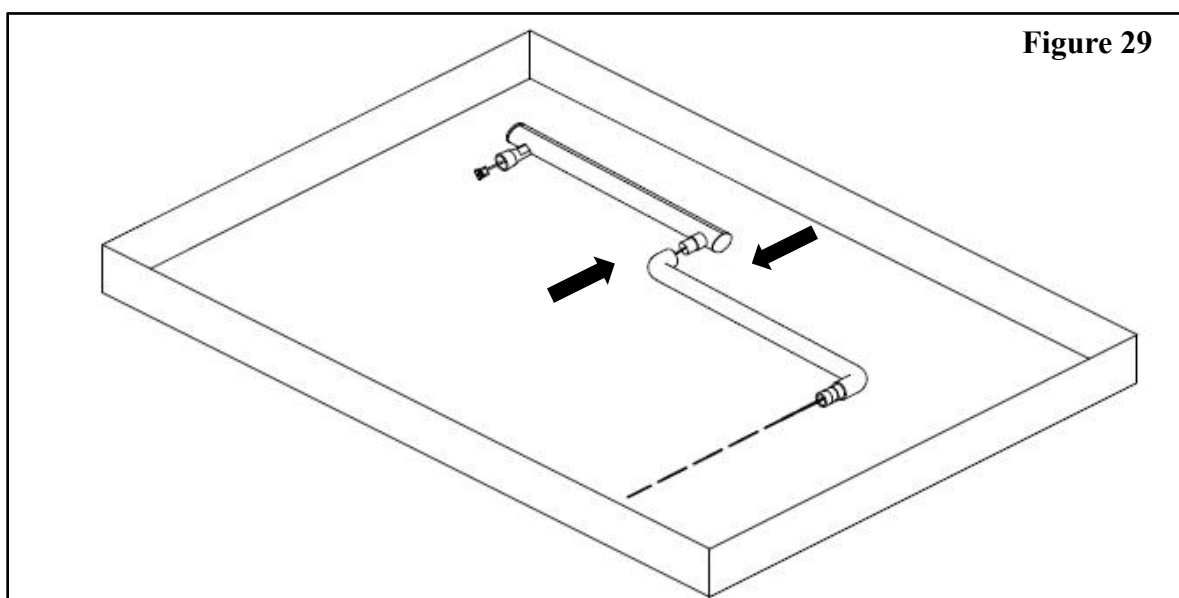
Figure 27 Dental light



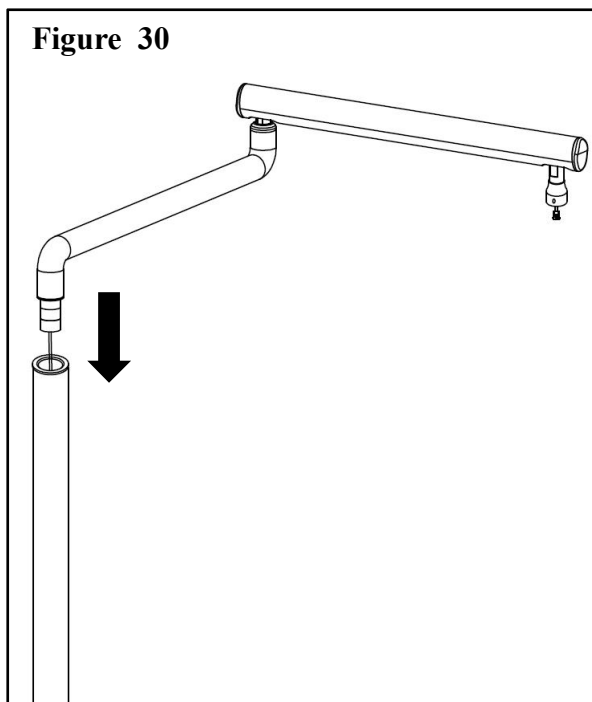
1. Let the intermediate post pass through the plane washer, put the post into the mounting hole and fix the post with M8*10 set screws.(Move the cover of side box upward can tighten the screws easier.)



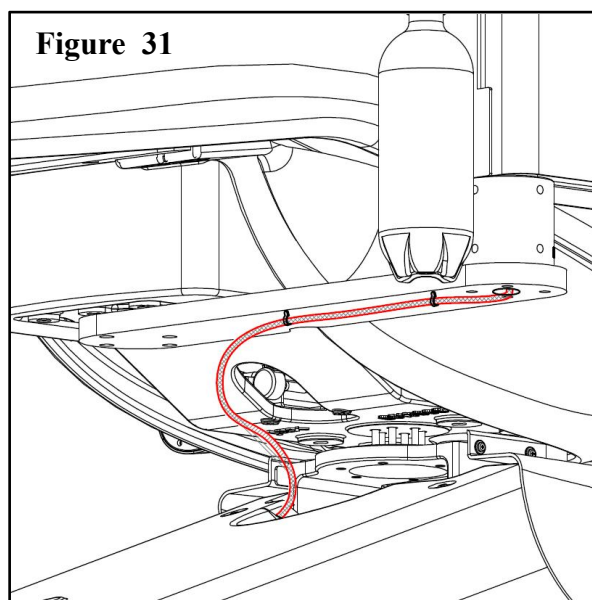
2. Joint the level arm and the rotary arm, take them out from the carton .



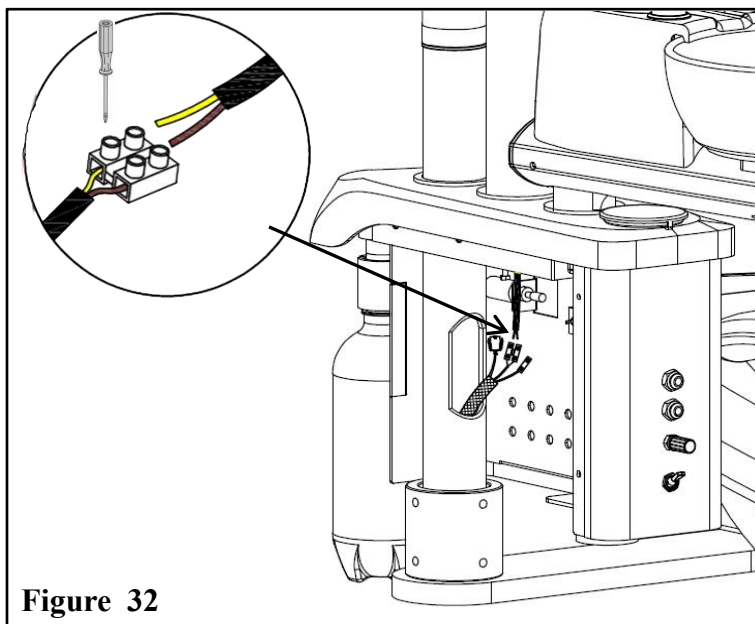
3. Put the connecting shaft of lamp arm into the intermediate post, let the wire pass through the post and reach to the water unit.



4. Fix the reserved light wire to the chair adapter, and pass through the hole of the adapter.



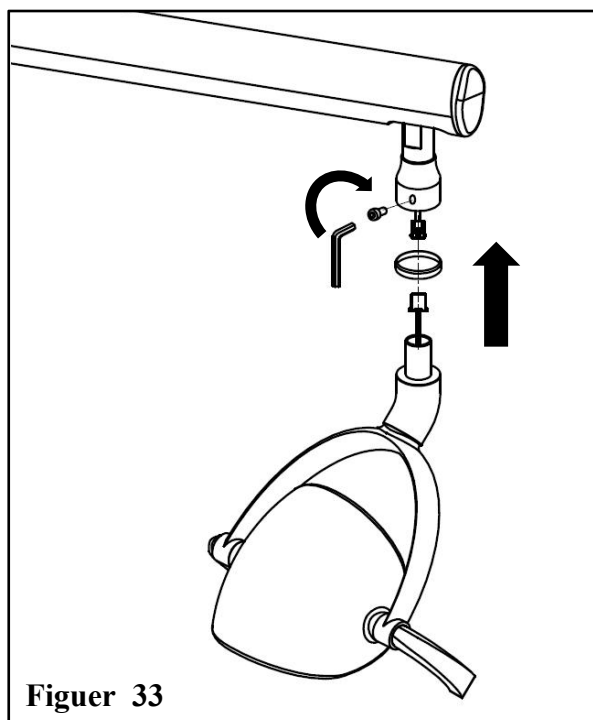
5. Pull out the reserved light wire form the hole, and connect to the light wire from the itermmediate post by color.



6. Take out the lamp from the package, pass the wire through the cosmetic ring and connect the wire terminals, then joint the light head and the level arm together, fully fasten with a M5*12 screw.

Note: Hold the lamp , do not drop it to avoid damage.

Tool:
4mm Allen wrench



Note: Close the side box cover and fasten the screws after finishing finishing this step.

6.7 Install junction box

Figure 34 Junction box connections

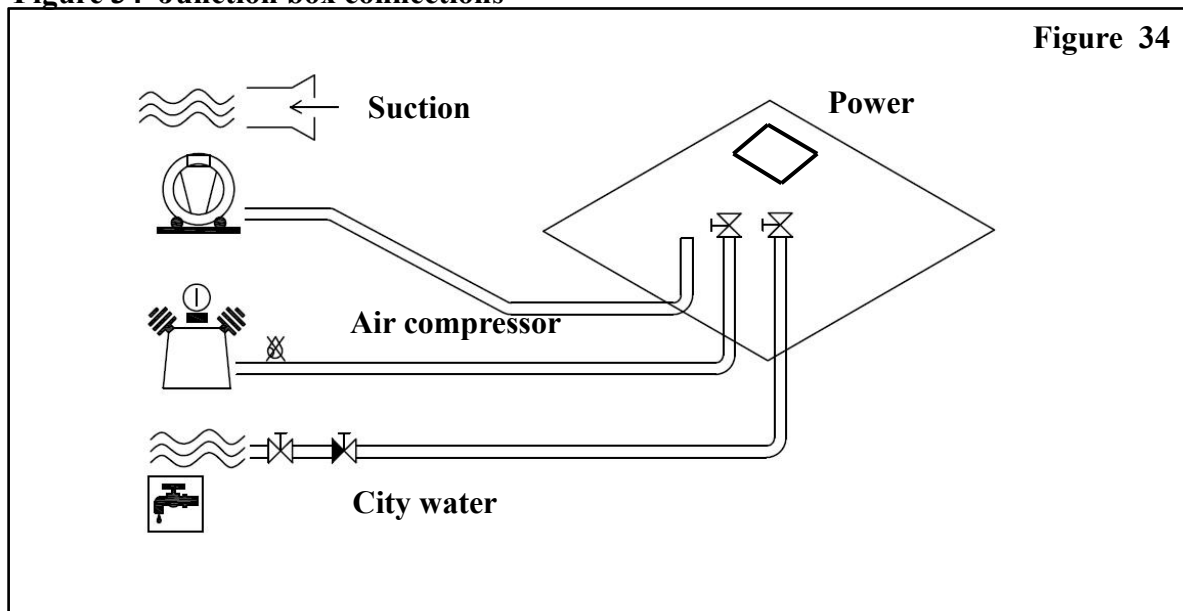
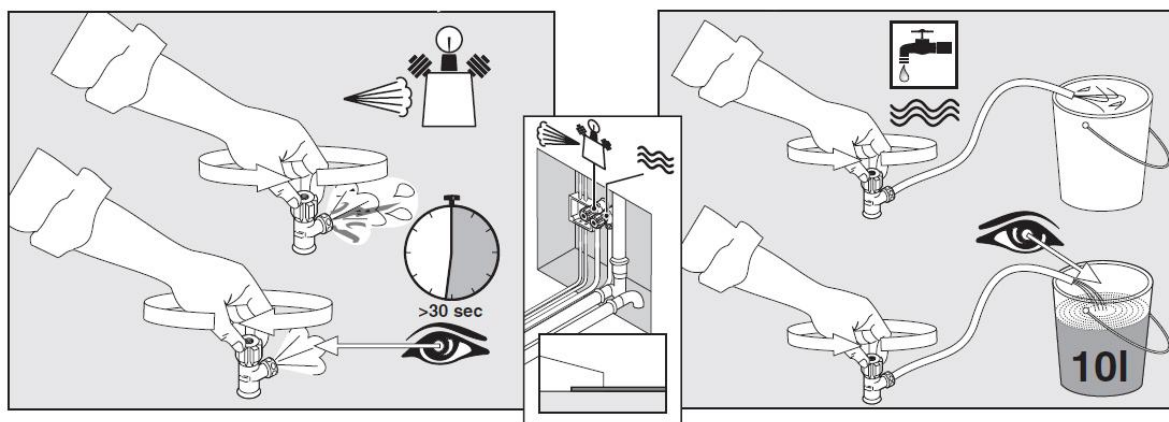


Figure 35 Tubes cleaning before connecting



The tubes & wires are in the tubing zone or inside the external junction box, their places depend on your chair configurations.

1. Open the valves to exhaust water and air, clean the tubes before connecting.
2. Open the cover of the junction box, connect the air-in, water-in and water-out .
3. Take out the power box of dental light ,connect the power cord to the power box, and plug into the socket.
4. Close the cover after making sure they are well-performed.

We reserve the right to make any alterations which may be due to technical improvements.



710422

ADS Dental System Inc.

Add: 1590 S Milliken Ave., unit A, Ontario, CA91761

Tel: (626) 620 0456

E-mail: ads@adsequip.com

<http://www.adsequip.com/>