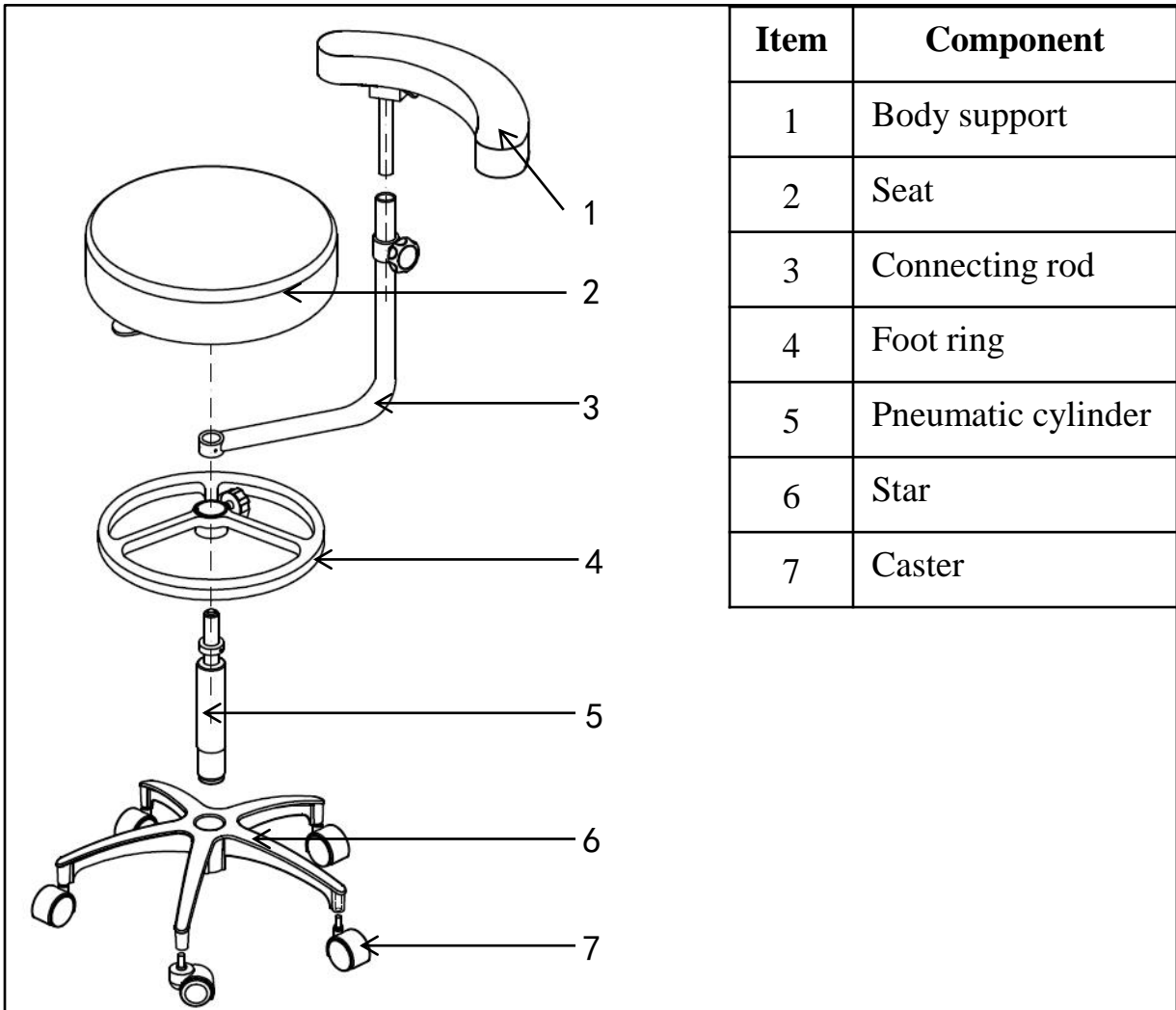




<http://www.adsequip.com/>

# **Installation Manual of N4 Assistant stool**

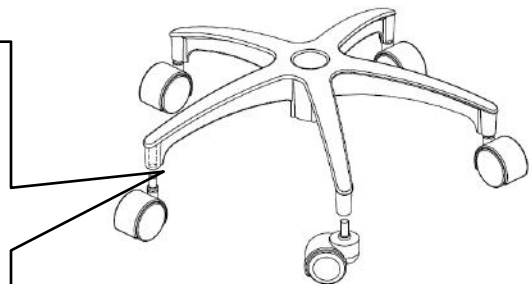
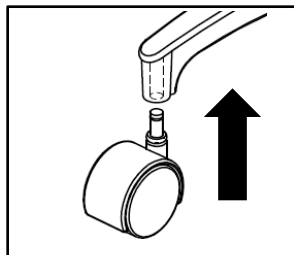
# 1 Compositions



# 2 Installation

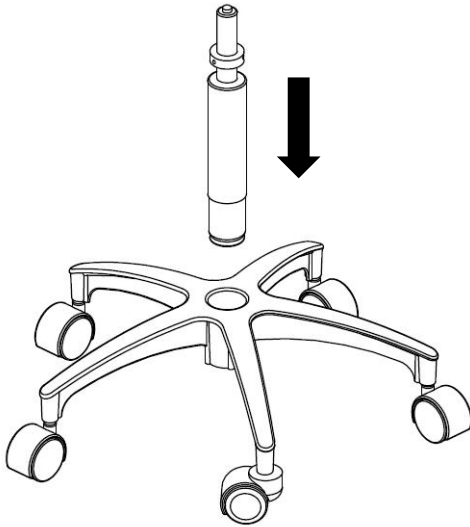
## 1. Install the casters :

Install the 5 casters to the stars by inserting caster shaft into proper position.



**2. Install pneumatic cylinder:**

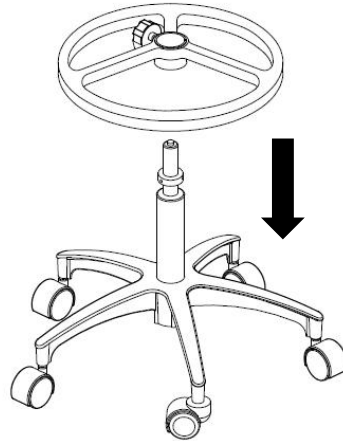
Insert the rod into the mounting hole of the star as the figure shown.



**3. Install foot ring :**

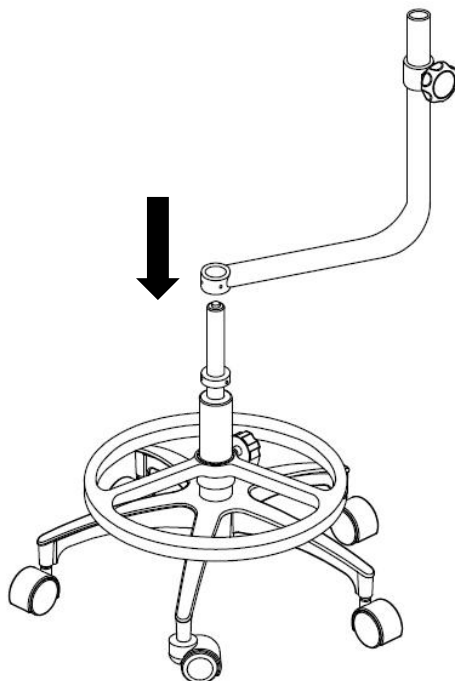
Mount the foot ring to correct position of the pneumatic cylinder .

(Note: You can unscrew the knob if it obstruct foot ring installation .)



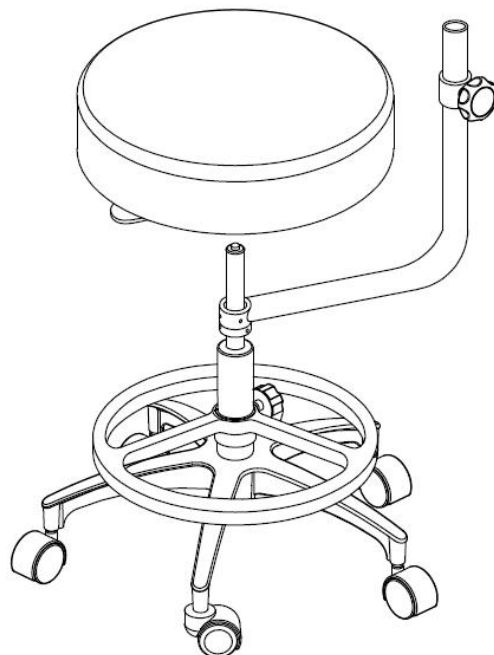
**4. Install the connecting rod :**

Install the connecting rod to the mounting shaft of pneumatic cylinder.



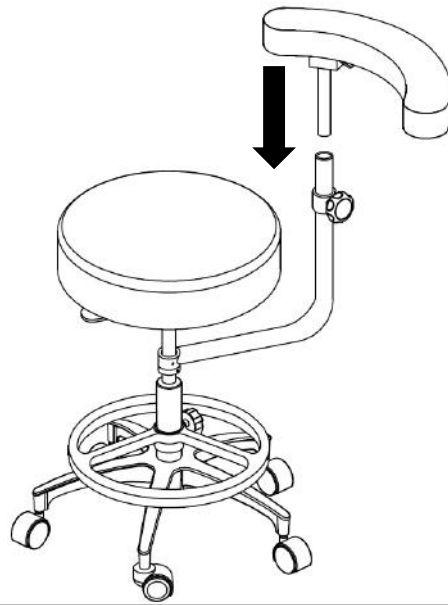
**5. Install seat :**

Install the seat to the mounting shaft of pneumatic cylinder.



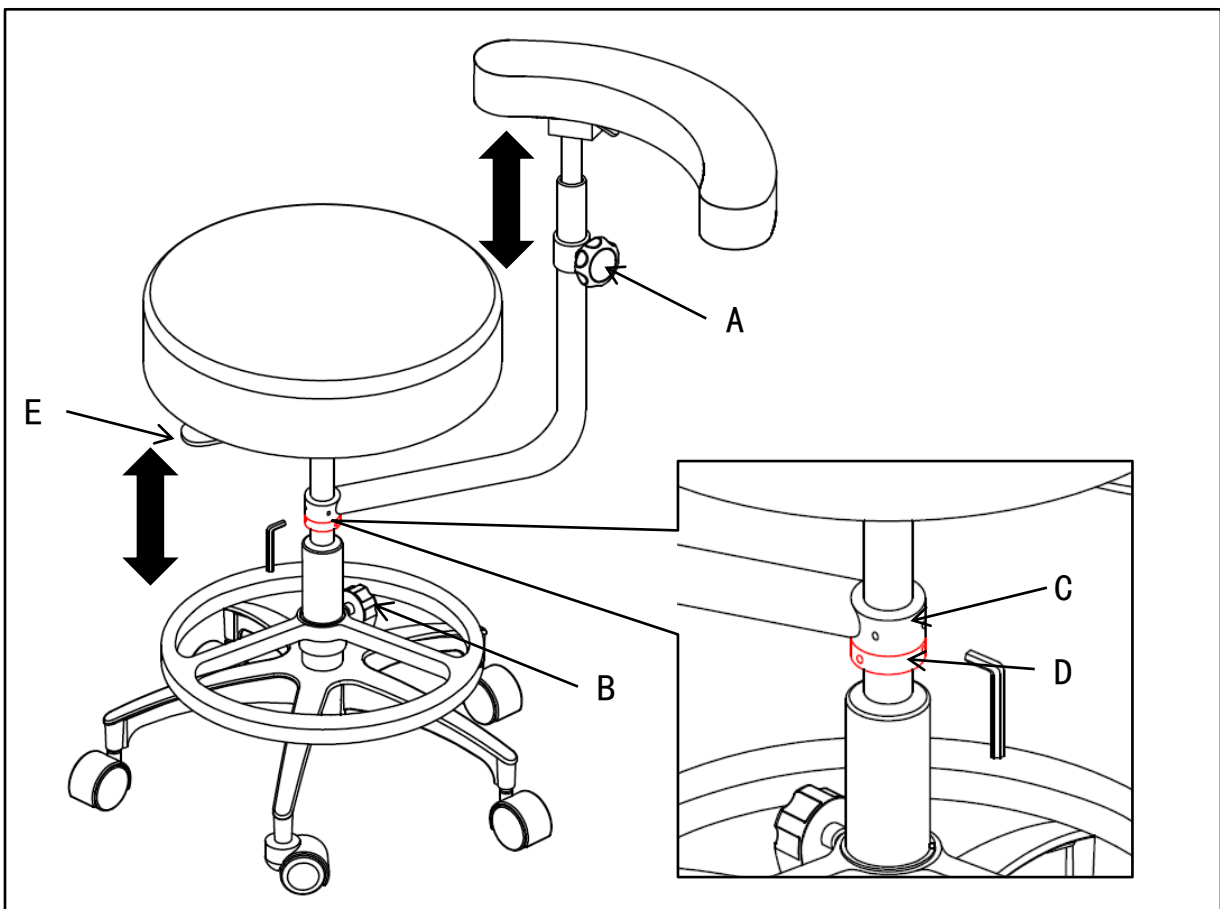
## 6. Install body support

Insert the shaft of body support into the connecting rod and fasten the adjusting knob.



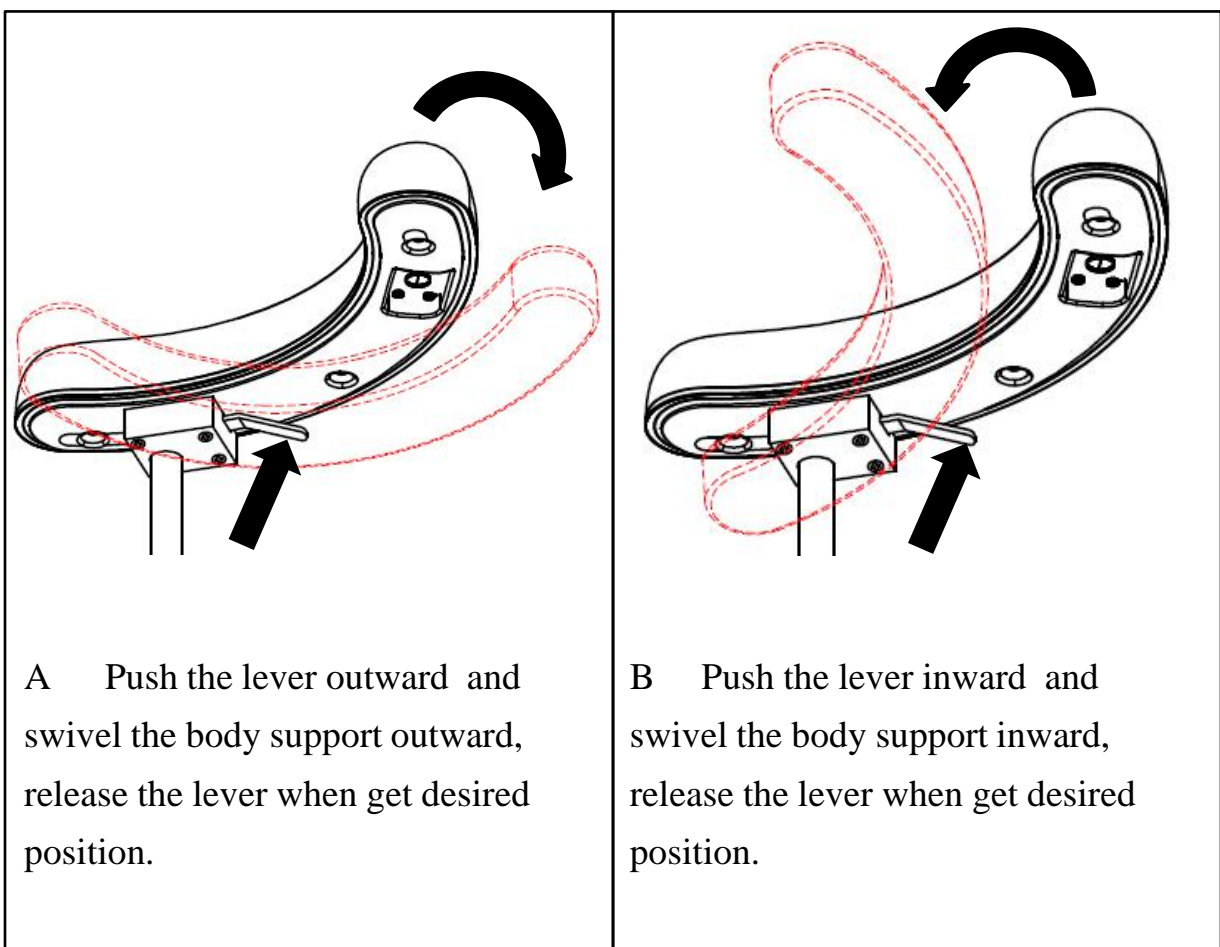
## 3 Adjustment

### 3.1 Adjust the connecting rod



- A. Adjusting knob on connecting rod : unscrew it counterclockwise to adjust the height of body support, fasten the knob when reach desired height .
- B. Adjusting knob on foot ring : unscrew it counterclockwise to adjust the height of foot ring, fasten the knob when reach desired height .
- C. Rotating damper adjustment of connecting rod : tension of the screw influences the rotational damping force of connecting rod.
- D. To adjust the height of connecting rod : loosen the screw to adjust , fasten the screw when reach desired height .
- E. Adjusting lever of the seat : sit on the seat and pull the lever upwards to adjust the height of seat, release the lever when reach desired height .

## 3.2 Adjust the body support



We reserve the right to make any alterations which may be due to technical improvements.



710422

## ADS Dental System Inc.

---

Add: 1590 S Milliken Ave., unit A, Ontario, CA 91761

Tel: (626) 620 0456

E-mail: [ads@adsequip.com](mailto:ads@adsequip.com)

<http://www.adsequip.com/>