

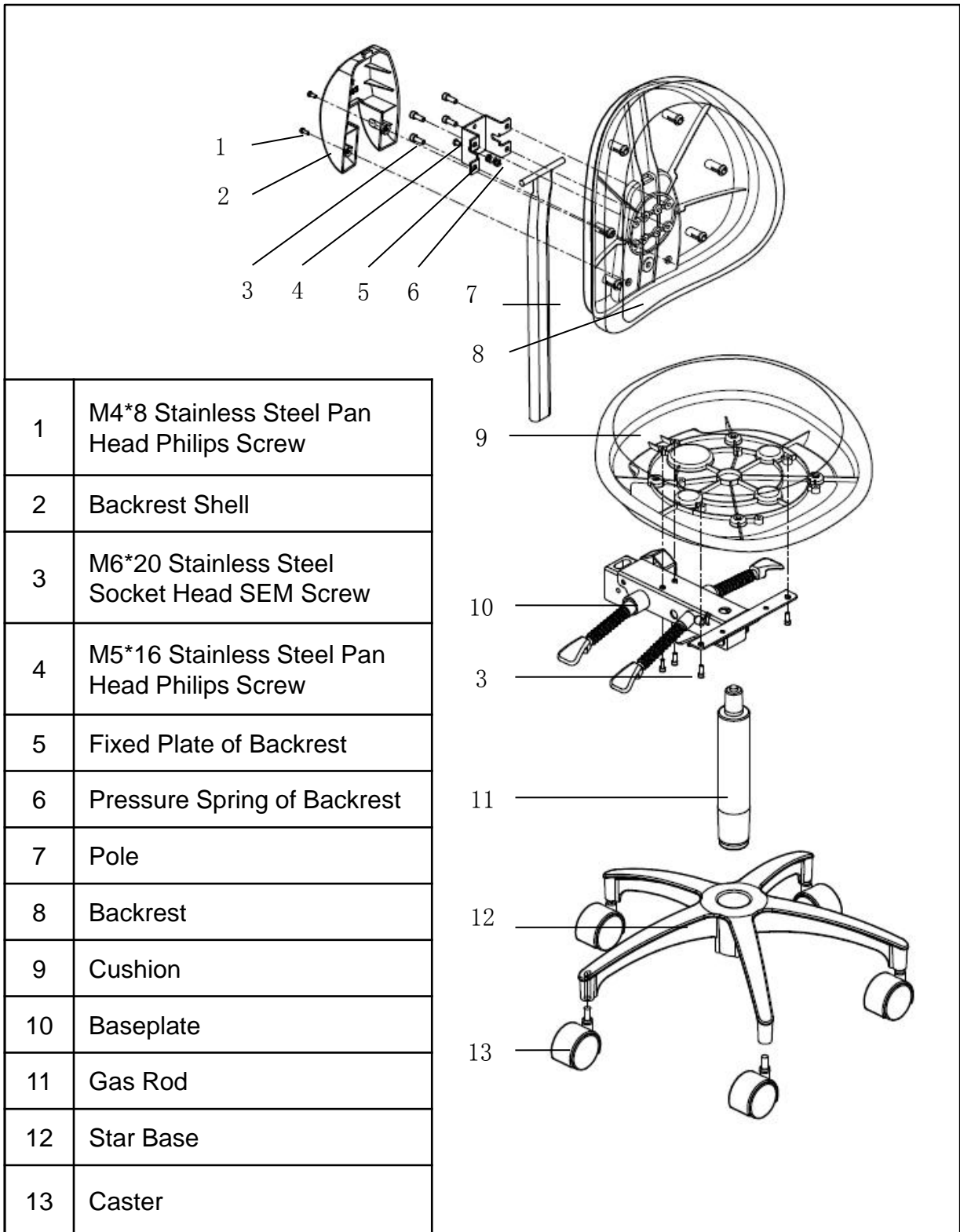


<http://www.adsequip.com/>

Installation Manual of D3 Doctor stool



Installation Manual of D3 Doctor stool

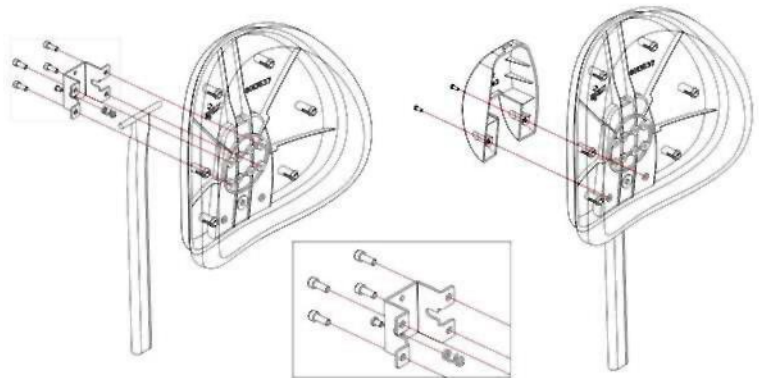


Installation Manual of D3 Doctor stool

► Step 1 : Install the backrest rod

Component list

8014245A	Philips head stainless screw of M6*12	4
8014032A	The backrest rod	1
8001702A	Screw of M5*16	1
8014158A	The back pressure spring	1
8014143A	The backrest rod fixed plate	1



► Step 2 : Install the backrest decoration shell

Component list

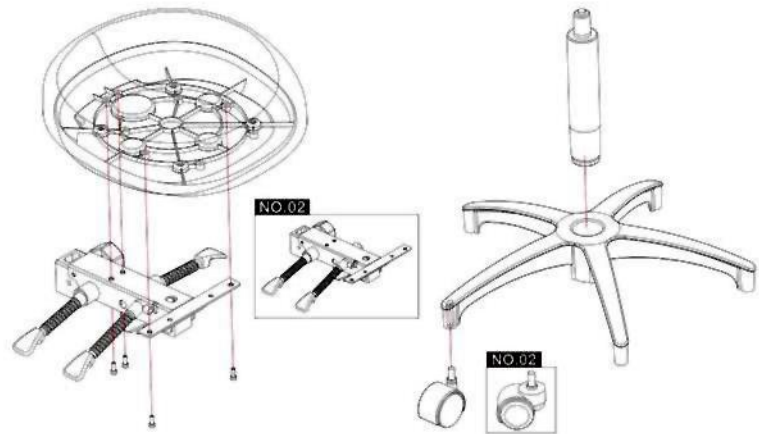
8001678A	Screw of M4*8	2
8013543A	The decoration shell	1



► Step 3 : Install the Chassis

Component list

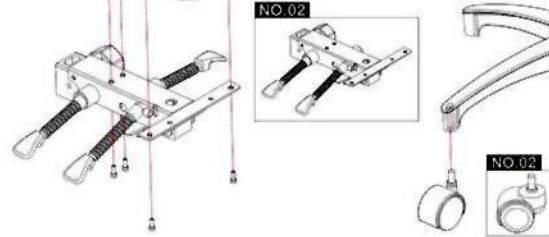
8014245A	Philips head stainless screw of M6*12	4
8014029A	The Chassis II (for NO.03)	1
8014026A	The Chassis I (for NO.02)	1



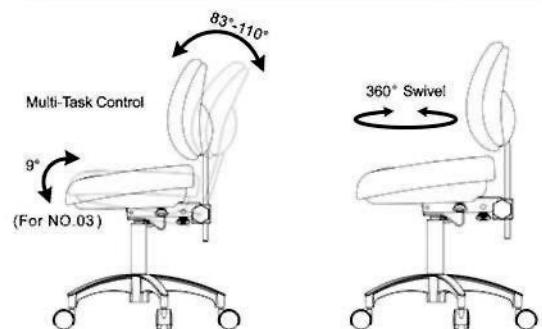
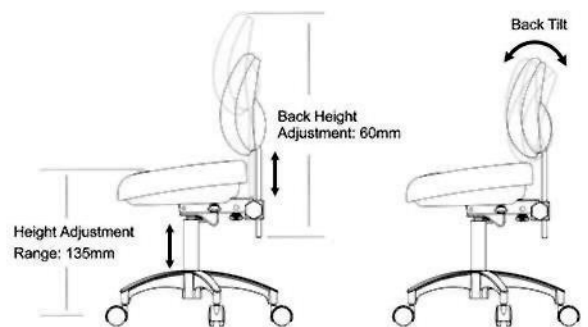
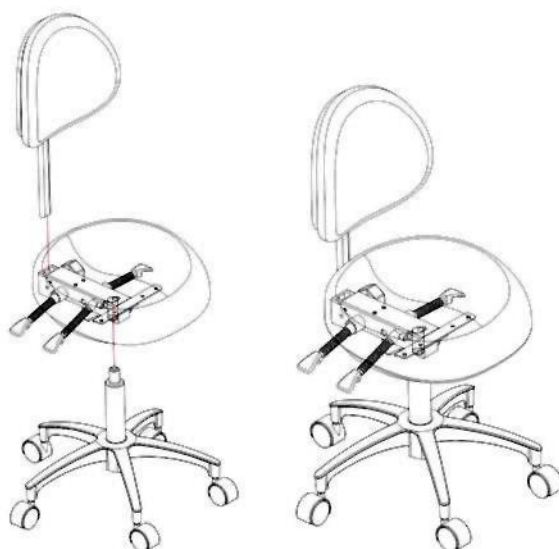
► Step 4 : Install the castor and the gas cylinder

Component list

8014167A	Castor II (for NO.03)	5
8014041A	Castor I (for NO.02)	5
8014035A	Chair base	1
8014044A	The gas cylinder	1



► Step 5 : Final assembly



We reserve the right to make any alterations which may be due to technical improvements.



710422

ADS Dental System Inc.

Add: 1590 S Milliken Ave., unit A, Ontario, CA 91761

Tel: (626) 620 0456

E-mail: ads@adsequip.com

<http://www.adsequip.com/>