



<http://www.adsequip.com/>



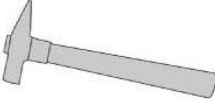
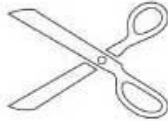
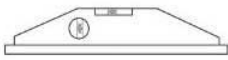





Installation Manual of AJ12US Orthodontic Dental Light

CONTENTS

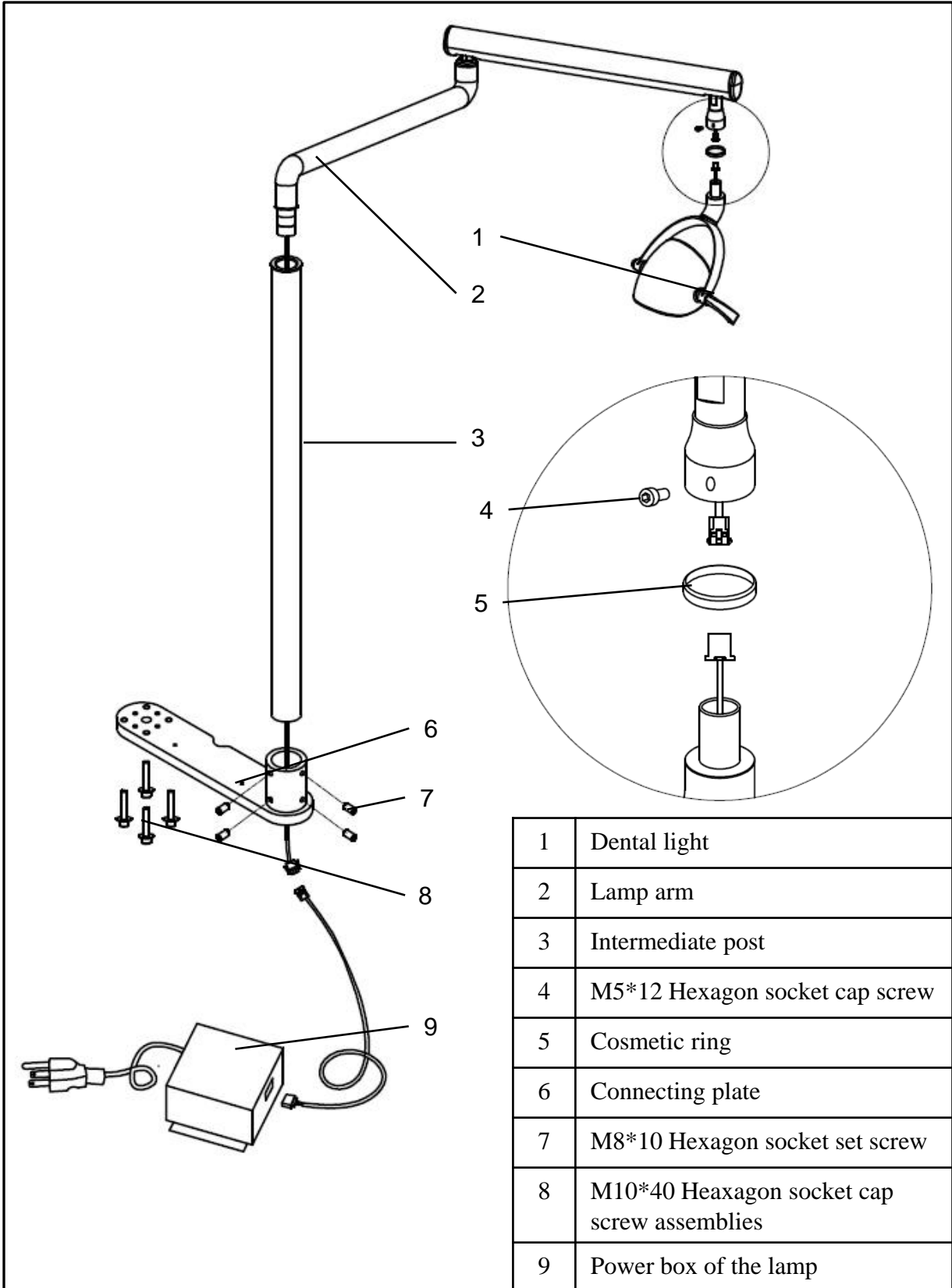
1. Tools recommended.....	1
2. Compositions.....	2
3. Installation Sequences.....	3

1. Tools recommended

The tools and instruments need to prepare before installation.

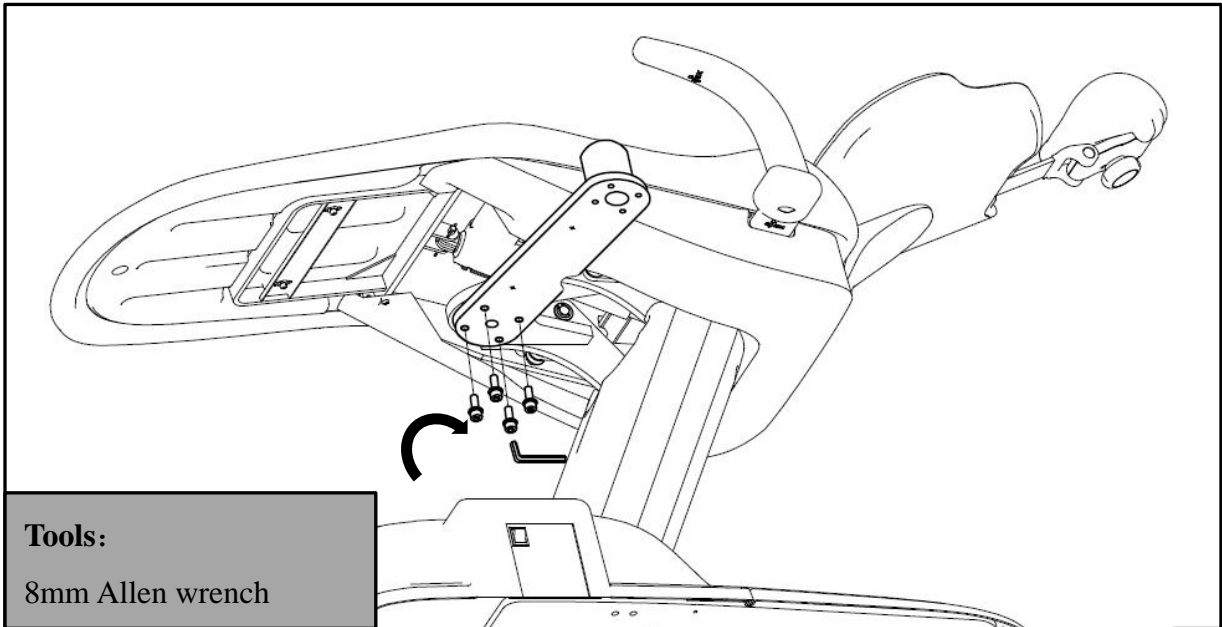
	Electrical drill		Pincers
	Hammer		Scissors
	Leveling instrument		Flat-bladed Screw driver
	Phillip screw driver		Allen wrench
	Spanner		Hexagon socket wrench

2. Compositions

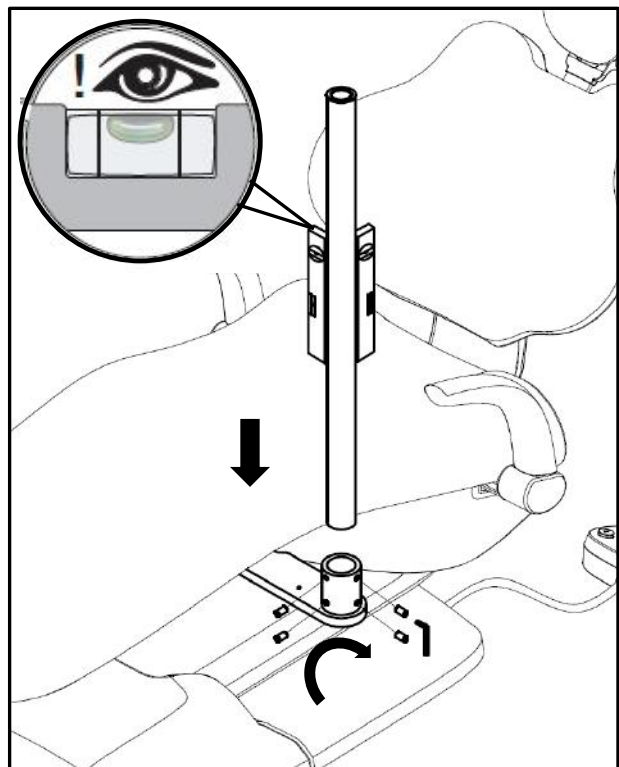


3. Installation Sequences

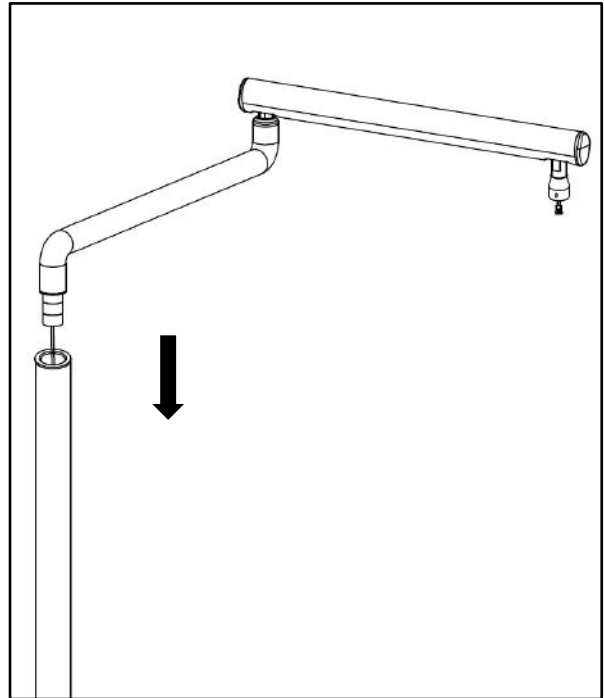
1. Fix the connecting plate to the retaining bracket beneath the chair by four M10*40 screws.



2. Insert the intermediate post into the installing hole on the fixing plate, assure the verticality through a levelling instrument, and finally fasten the post by four M8*10 screws.



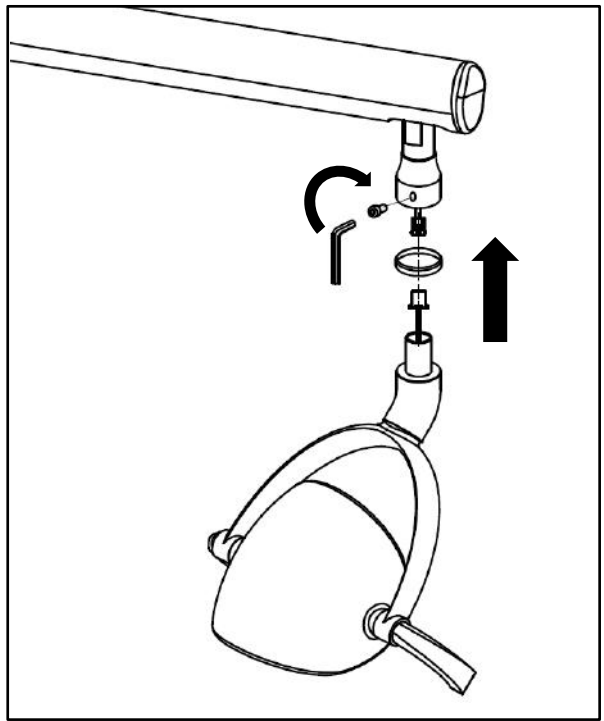
3. Hold the level arm with one hand and hold the lamp arm with the other, let the wire into the intermediate post.



4. Pass the lamp shaft through the cosmetic ring and connect the wires, make sure the lamp shaft is well inserted into the level arm, fully fasten with one M5*12 screw.

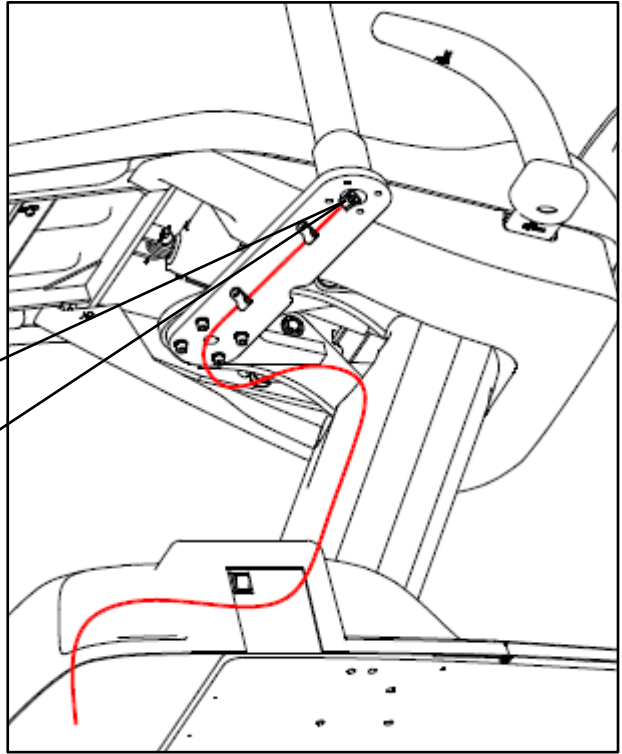
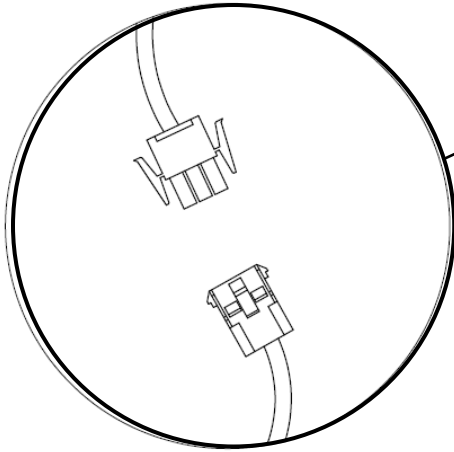
Note: Before tightening the screw, do not make the wire terminals bear the weight of lamp to avoid the lamp drop.

Tools:
4mm Allen wrench

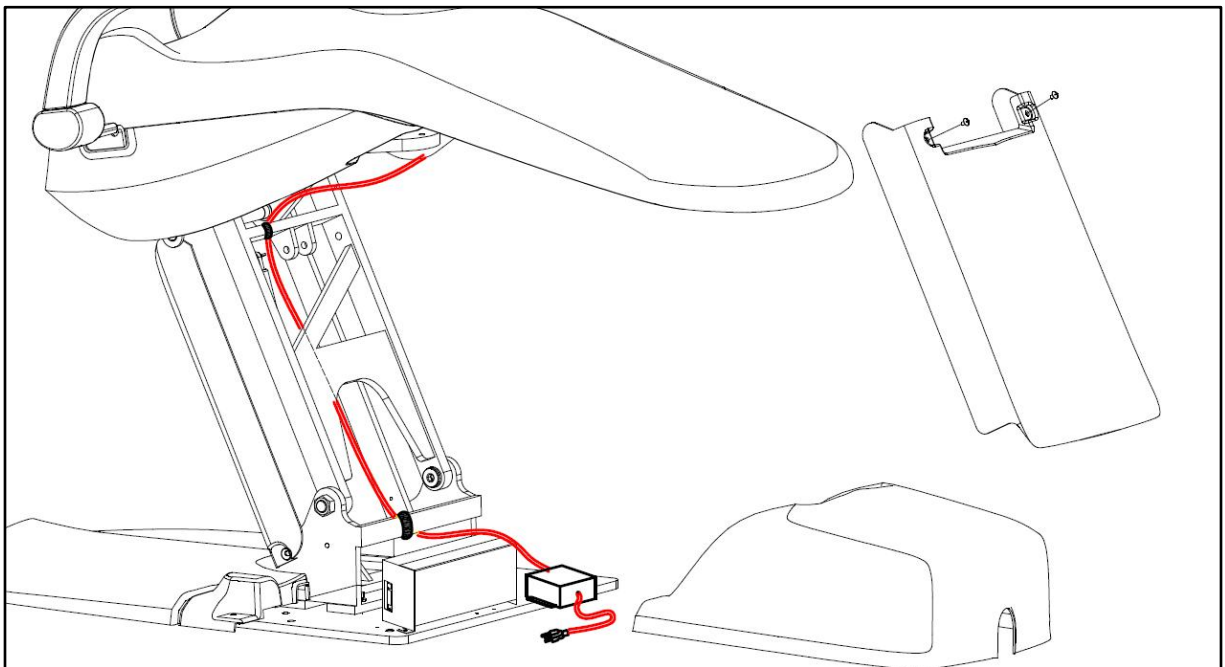


Installation Manual of AJ12US Orthodontic Dental Light

5. Clip the power box wire to the fixing plate, and connect it to the lamp wire



6. Place the lamp power box inside the junction box, plug into the reserved socket, turn on the power to energize the light.



We reserve the right to make any alterations which may be due to technical improvements.



710422

ADS Dental System Inc.

Add:1590 S Milliken Ave., unit A, Ontario, CA 91761
Tel: (626) 620 0456
E-mail: ads@adsequip.com
<http://www.adsequip.com/>