



<http://www.adsequip.com/>

Installation Manual of Classic 200 Delivery System

Copyrights

ADS makes no warranty of any kind with regard to this material , including but not limited to, the implied warranties of merchantability and fitness for a particular purpose. ADS shall not be held liable for any errors contained herein or any consequential or other damages concerning furnishing, performance or use of this material. The information in this document is subject to change without notice . If you find any problems in the documentation, please report them to us in writing. ADS does not warrant that this document is error-free.

No part of this document may be copied, reproduced, altered, or transmitted in any form or by any means, electronic or mechanical, including photocopying, recording, or by any information storage and retrieval system, without prior written permission from ADS.

The document is intended to be used in conjunction with the equipment.

Comments and feedback

Please contact us if you have any feedback and opinions on this document:

Add: 1590 S Milliken Ave., unit A, Ontario, CA 91761

Tel: (626) 620 0456

E-mail : sales@adsequip.com

<http://www.adsequip.com/>

Product service

If you want to get service information, please contact the local dealer authorized by ADS company.

Technical support tel: 800 488 9708

C O N T E N T S

1 Introduction.....	1
1.1 Products information.....	1
1.2 Symbols explanation.....	1
2 Compositions.....	3
3 Sizes.....	4
4 Specifications.....	5
5 Preparations.....	5
5.1 Attentions.....	5
5.2 Tools recommended.....	6
5.3 Installation sequence.....	7
6 Installation.....	8
6.1 Install assistant unit.....	9
6.2 Install rotary arm to the chair.....	11
6.3 Install dentist unit.....	12
6.4 Level arm adjustment.....	15
6.5 Install dental light (optional)	16
6.6 Post-Installation Wire Harness Protection.....	20
6.7 Install foot control.....	21
6.8 Before junction box connection.....	22
6.9 Connections of junction box.....	23

1 Introductions



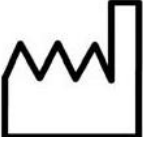



1.1 Products information















- Name:** Delivery system
- Model:** Classic200
- Working condition requirements:**
 - ① Ambient temperature: 5 °C~40 °C;
 - ② Relative Humidity: ≤ 80%;
 - ③ Nominal Voltage: AC110 V±22 V;
 - ④ Nominal Frequency: 60 Hz±1 Hz;
 - ⑤ Water Pressure: 29 psi~58 psi;
 - ⑤ Input air pressure 72.5 psi~101.5 psi , Air flow ≥50 L/min;

Unit conversion	
MPa	psi
0.2MPa	29psi
0.4MPa	58psi
0.6MPa	87psi
0.8MPa	116psi

1.2 Symbols explanations

Table 1

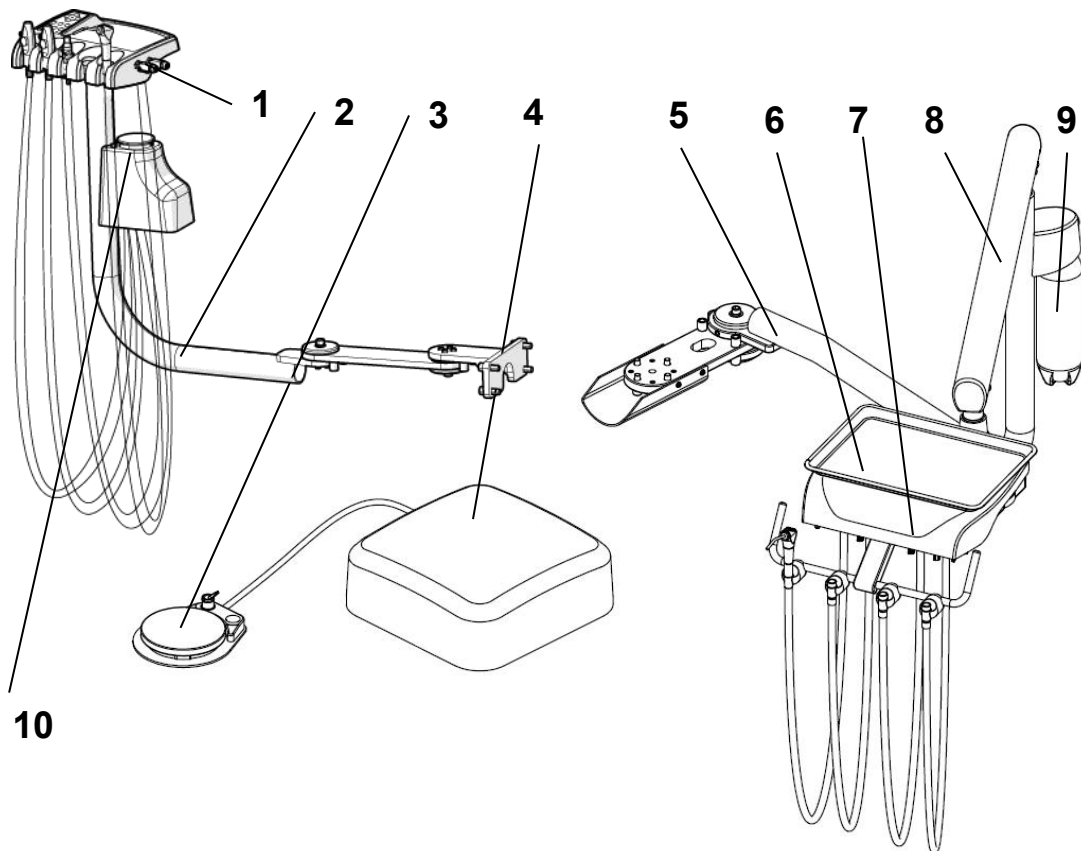
Symbols	Explanations
 Manufacturer	 EU Representative
 Manufacturing Date	 Serial Number
 Handle with Care	 Keep Dry

Symbols	Explanations
 <p data-bbox="338 534 606 566">Refer to Instructions</p>	 <p data-bbox="961 534 1070 566">Caution!</p>
 <p data-bbox="281 761 666 793">Refer to Attached Document.</p>	 <p data-bbox="923 761 1115 793">Backrest down</p>
 <p data-bbox="334 995 613 1027">Avoid Electric Shock</p>	 <p data-bbox="941 995 1097 1027">Backrest up</p>
 <p data-bbox="353 1232 595 1264">Ground Protection</p>	 <p data-bbox="941 1232 1097 1264">Chair down</p>
 <p data-bbox="387 1459 560 1491">Setup Button</p>	 <p data-bbox="949 1459 1067 1491">Chair up</p>
 <p data-bbox="364 1687 583 1719">Spitting position</p>	 <p data-bbox="858 1687 1176 1719">Program chair position 1</p>
 <p data-bbox="322 1917 644 1949">Program chair position 2</p>	 <p data-bbox="858 1917 1180 1949">Program chair position 3</p>

2 Compositions

The system is composed by following components.

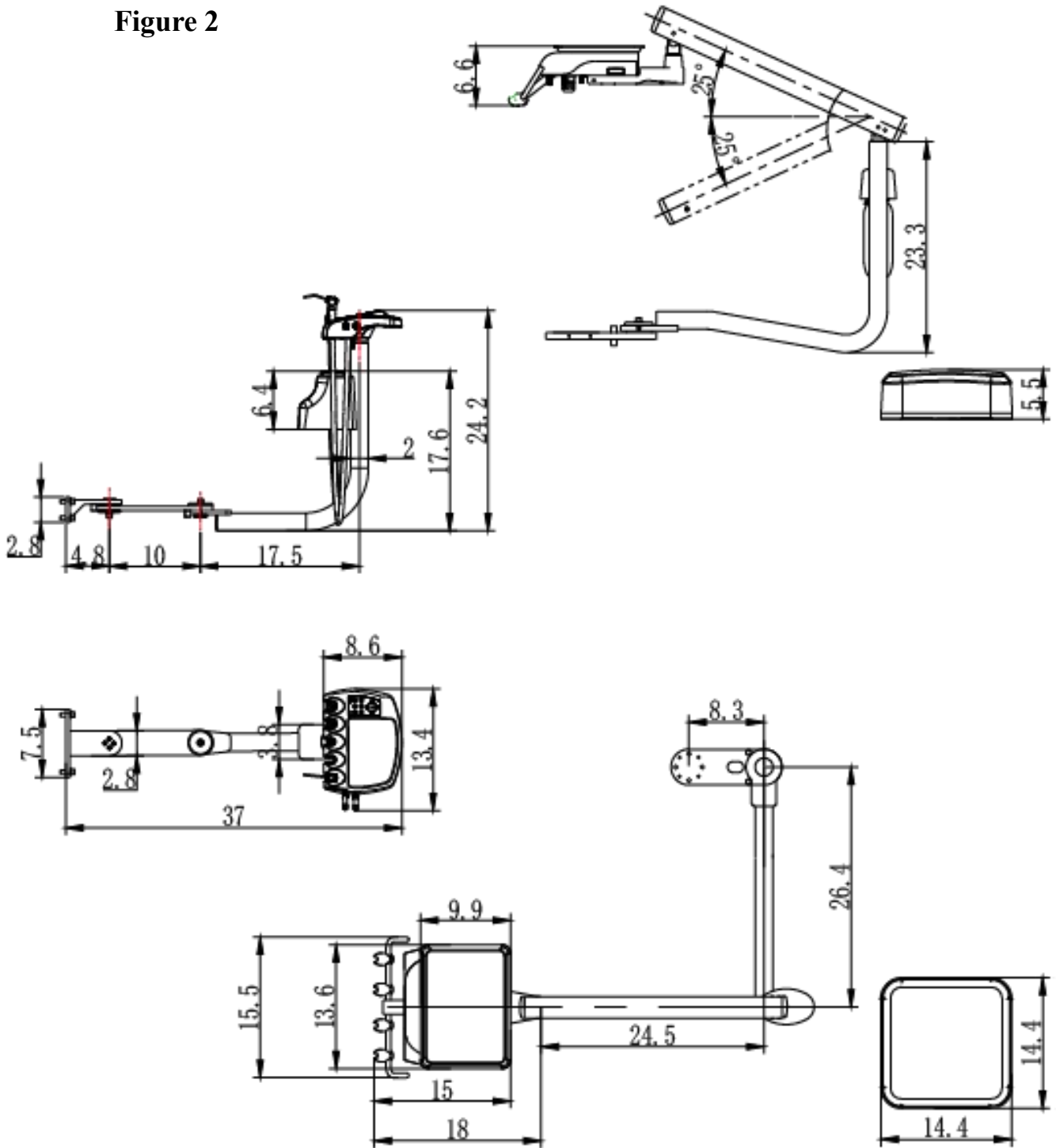
Figure 1 Classic200 delivery system



Item	Component	Item	Component
1	Assistant tray	6	Instrument tray
2	Assistant arm	7	Delivery head
3	Foot control	8	Level arm
4	Junction box	9	Water bottle
5	Rotary arm	10	Filter

3 Sizes(unit:inches)

Figure 2



4 Specifications

Table 2

Light illuminance	8000-40000 Lux
Max load of delivery head	2.5kg
Ambient temperature	5 °C~40 °C
Air supply pressure	72.5 psi~101.5 psi
Water supply pressure	29~58 psi

5 Preparations

5.1 Attentions

Before install the unit, you should:



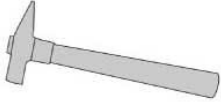
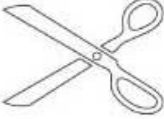






- Confirm the floor construction is safety to support the chair and clean.
- Apply two manually operated valves for the air and water source.
- Exhaust the dirty water and air before connecting.

Before install the unit, please read the manual carefully:

- Input voltage AC110V , 60 Hz.
- Make sure the dental unit is well-grounded.
- All the electrical components and connections should be made by an authorized technician.
- Only fuse and accessories recognized by ADS technician can be used.
- This device should not operate in the environment of high temperature, high humidity, vibration flammability, unbalance, or dusty.
- Only the authorized spare parts can be used in this device.
- This device can not be used in the environment of strong magnetic, electromagnetic.

5.2 Tools recommended

The tools and instruments need to prepare before installation

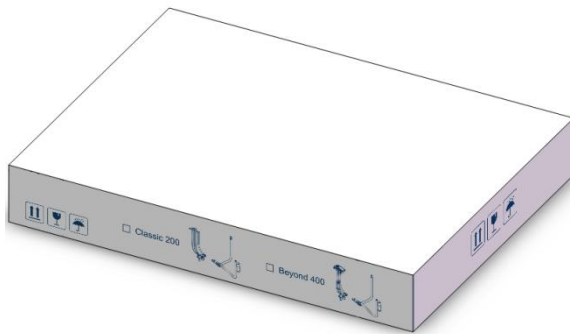
	Electrical drill		Pincers
	Hammer		Scissors
	Leveling instrument		Flat-bladed Screw driver
	Phillip screw driver		Allen wrench
	Spanner		Hexagon socket wrench

5.3 Installation sequence

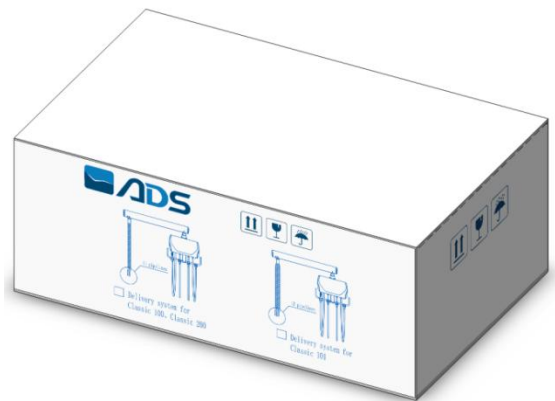
Installation modules of the Classic 200 system. Please install modules as the sequence as figures below.

Figure 2 Modules

**1. Rotary Arm、Lamp
Arm 、 Assistant's unit**



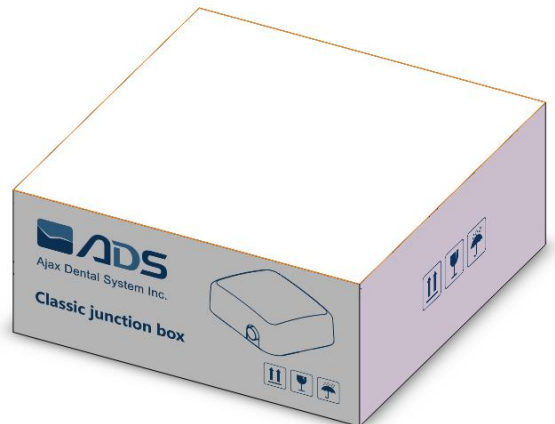
2. Dentist unit



3. Dental light



4. Junction box

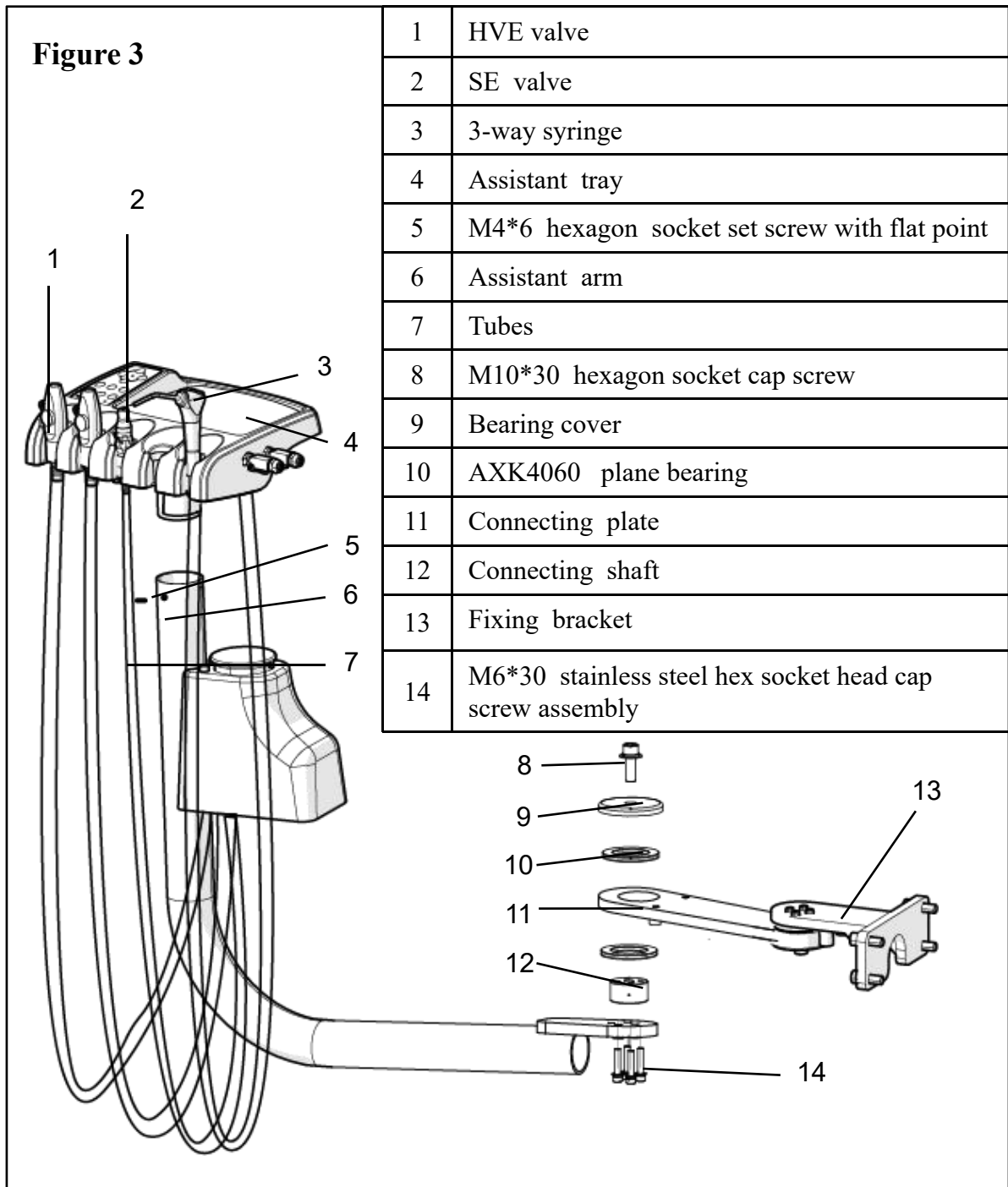


Notice:
Each box contains all the parts that belong to the module .

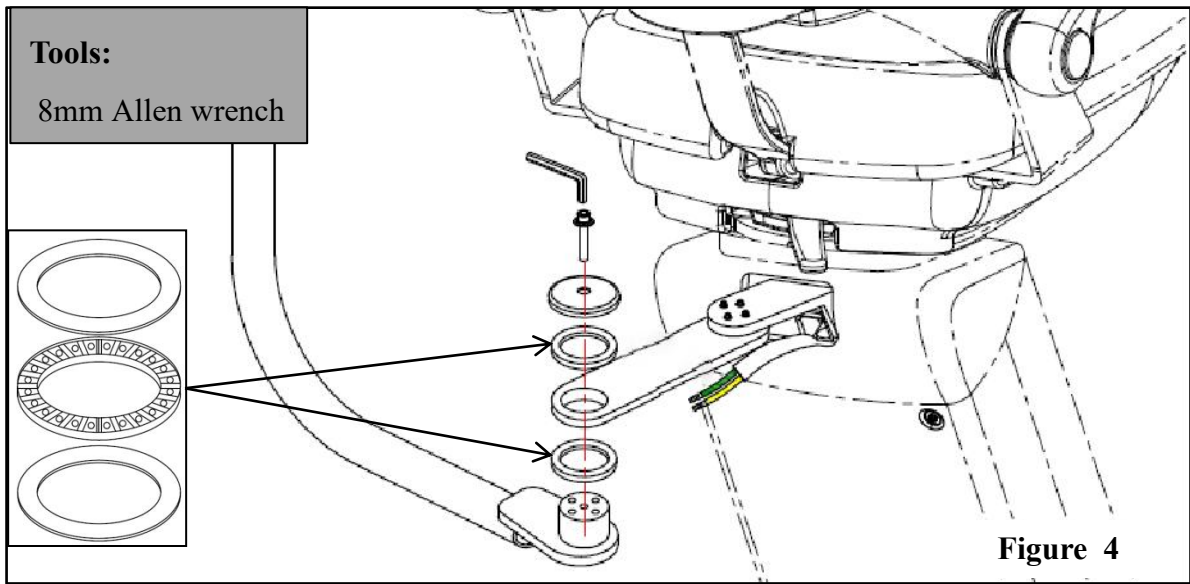
6 Installation

It is necessary to check whether the system and its accessories are damaged after unpacking. In addition, please check all accessories according to the accessories list. Please install the unit in following orders.

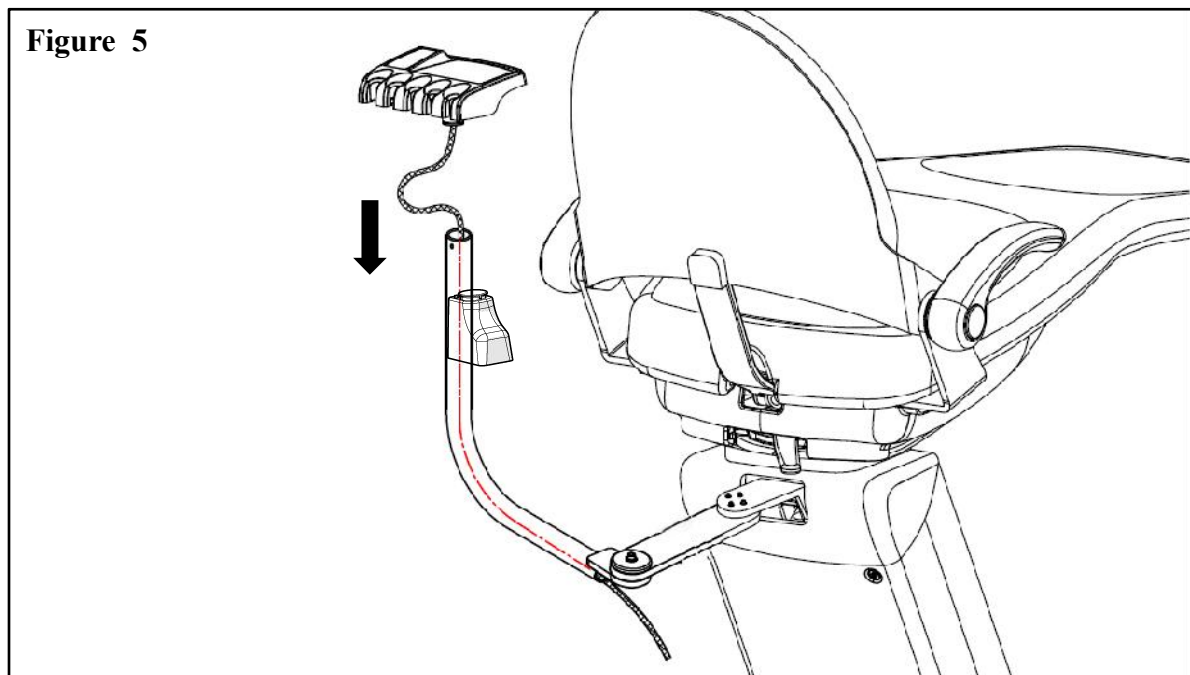
6.1 Install assistant unit



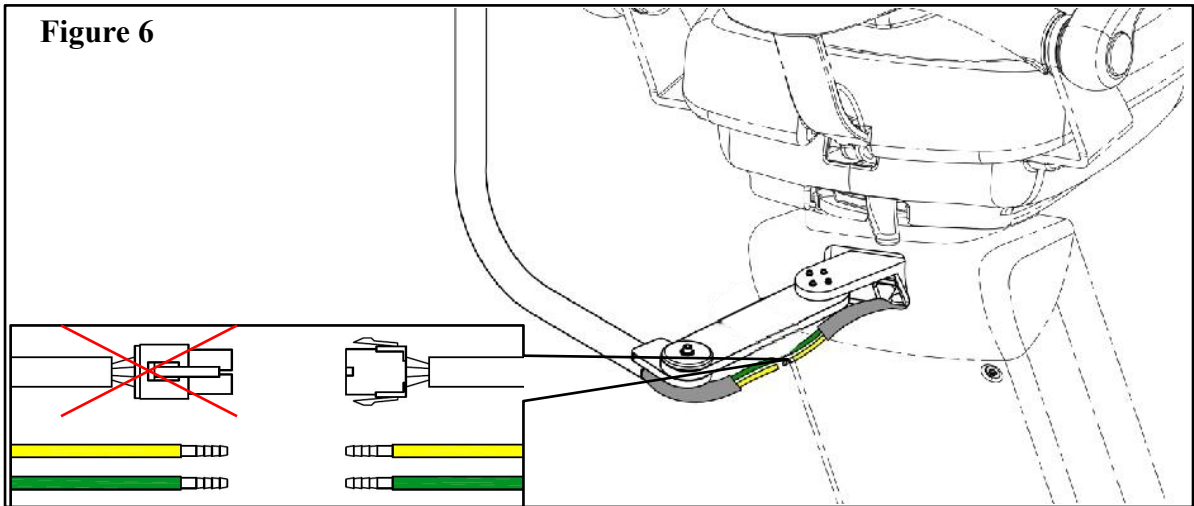
1. Loosen the M10*30 screw on the connecting plate, mount assistant arm to the connecting plate as the figure shown, then fasten the screw.



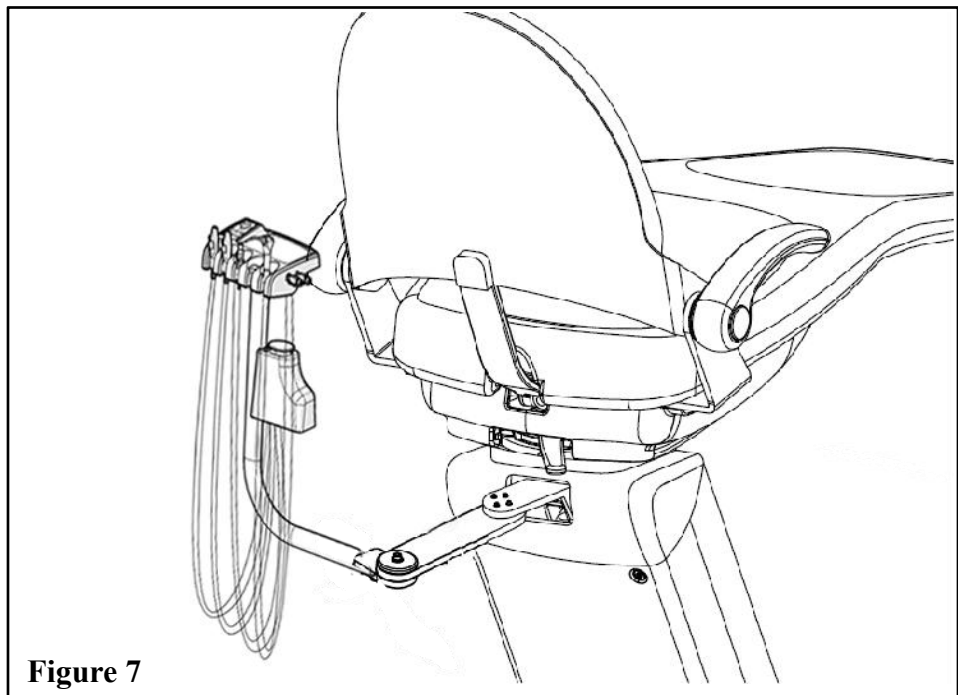
2. Let the tubes of the tray route through assistant arm, insert the shaft of the tray into the arm and fix them with a M4*6 screw.



3. Connect the tubes in same colors as the figure shown.

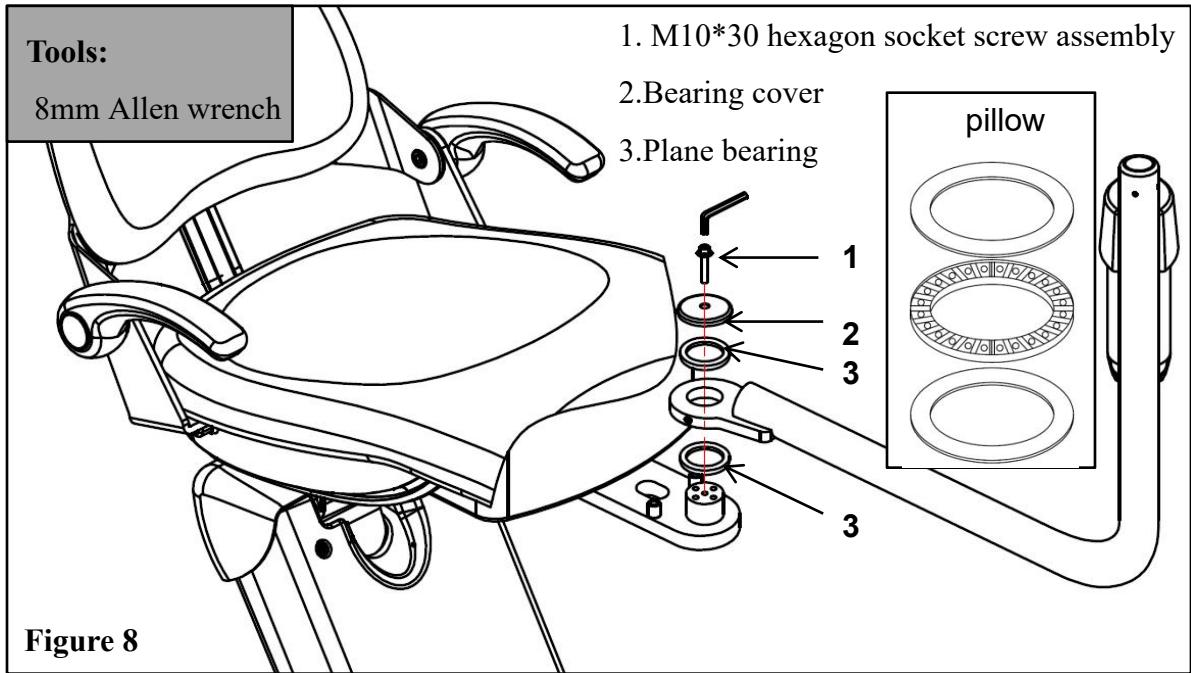


4. Put the HVE,SE and syringe to the holders.

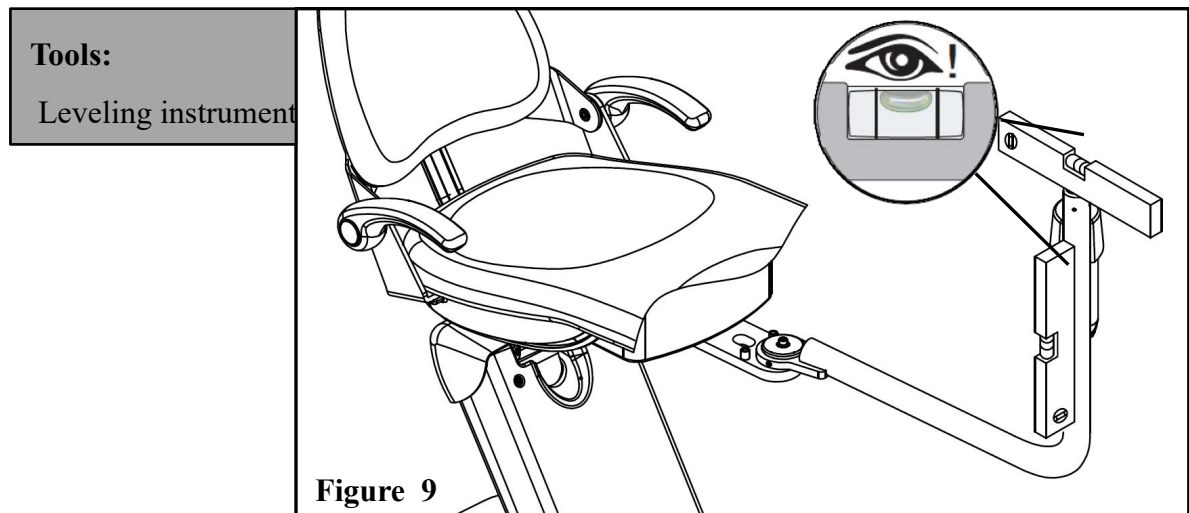


6.2 Install the rotary arm

1. Release the M10*30 screw of the connecting plate, mount the rotary arm to the front mounted connecting plate as the figure shown, then fasten the screw.

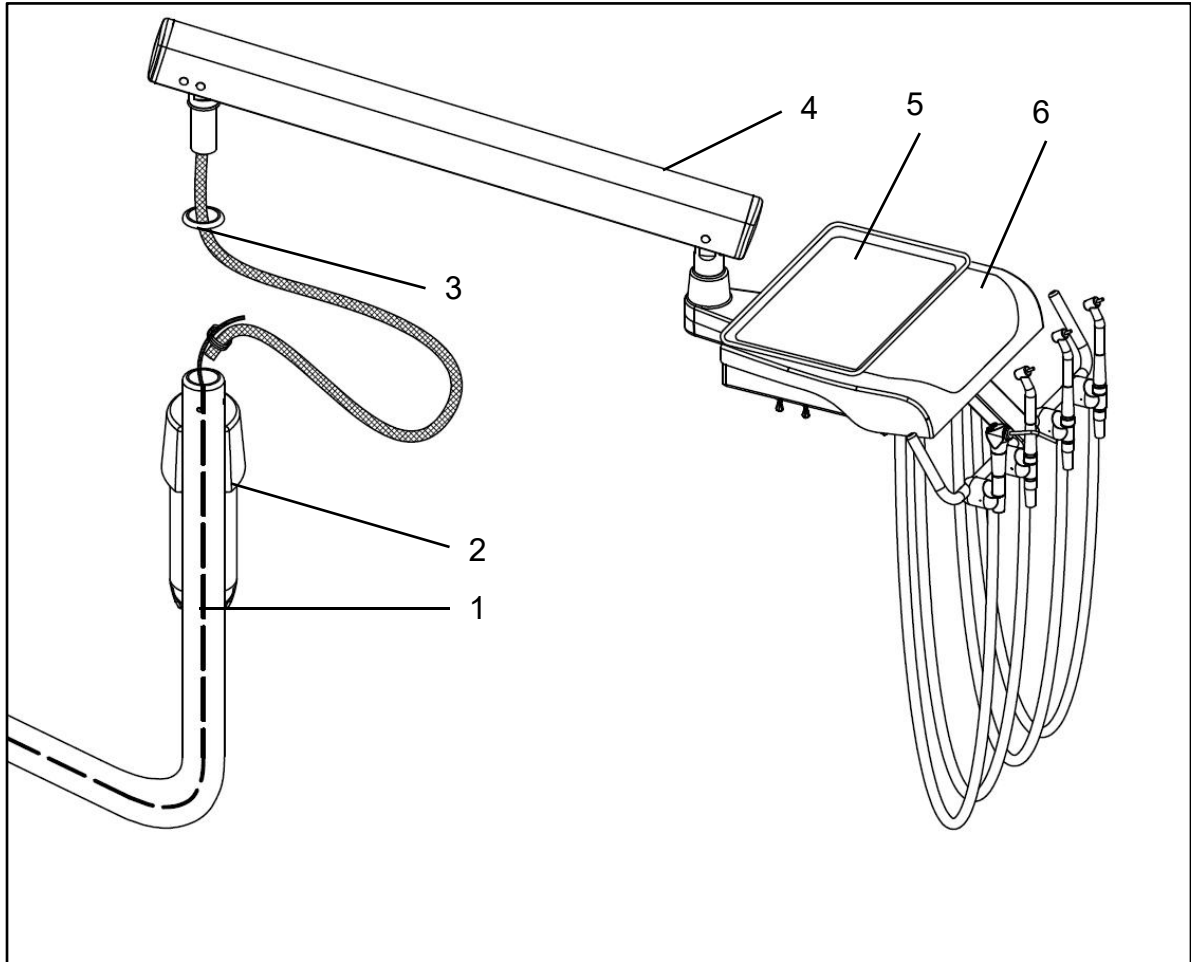


2. Assure the levelness of the rotary by regulating the four screws on the connecting plate.



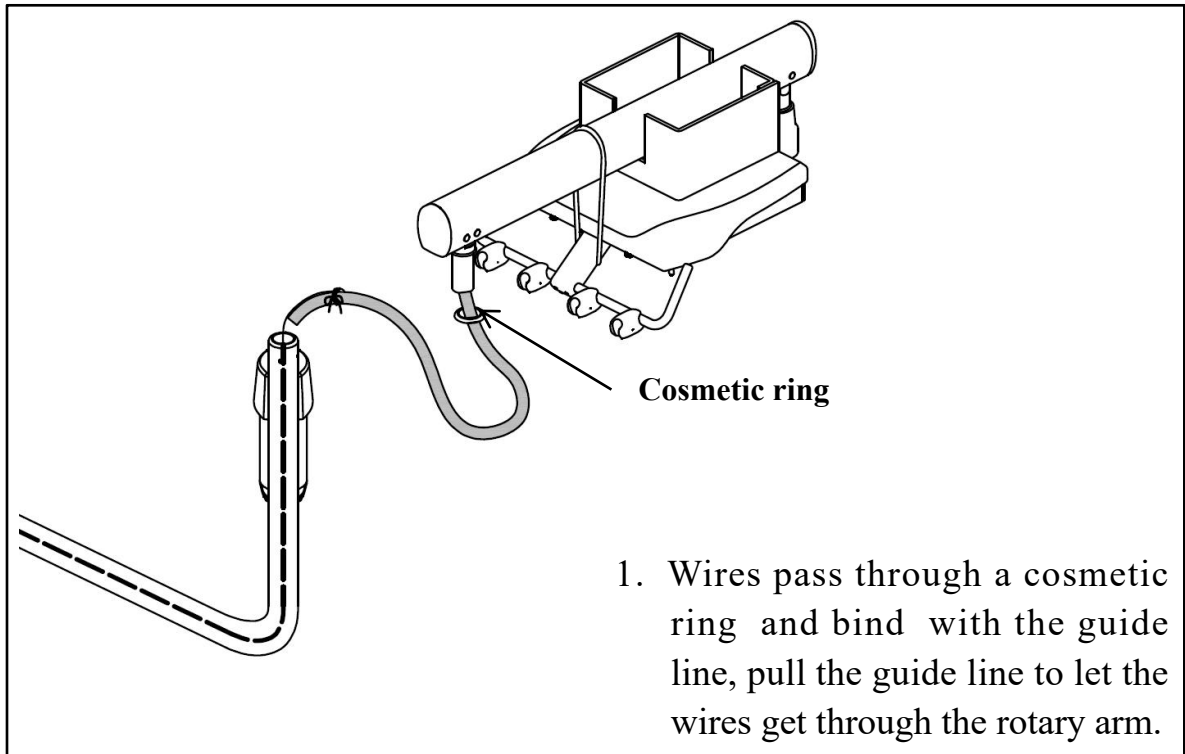
6.3 Install dentist unit

Figure 10 Compositions of dentist unit



1	Rotary arm (front mounted)	4	Level arm
2	Water bottle (front mounted)	5	instrument tray
3	Cosmetic ring	6	DE-2 Delivery head

Figure 11



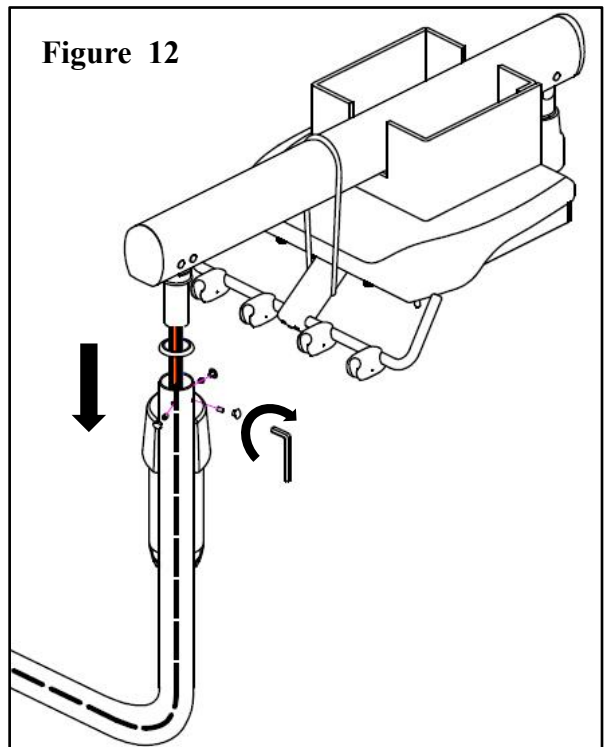
2. Install the unit to the rotary arm, fix it with three M6*8 screws and insert the screw caps. Remove the wrap pages after finish this step .

Note: Tightness of the M6 screw influences damping force of the level arm .

Tools:

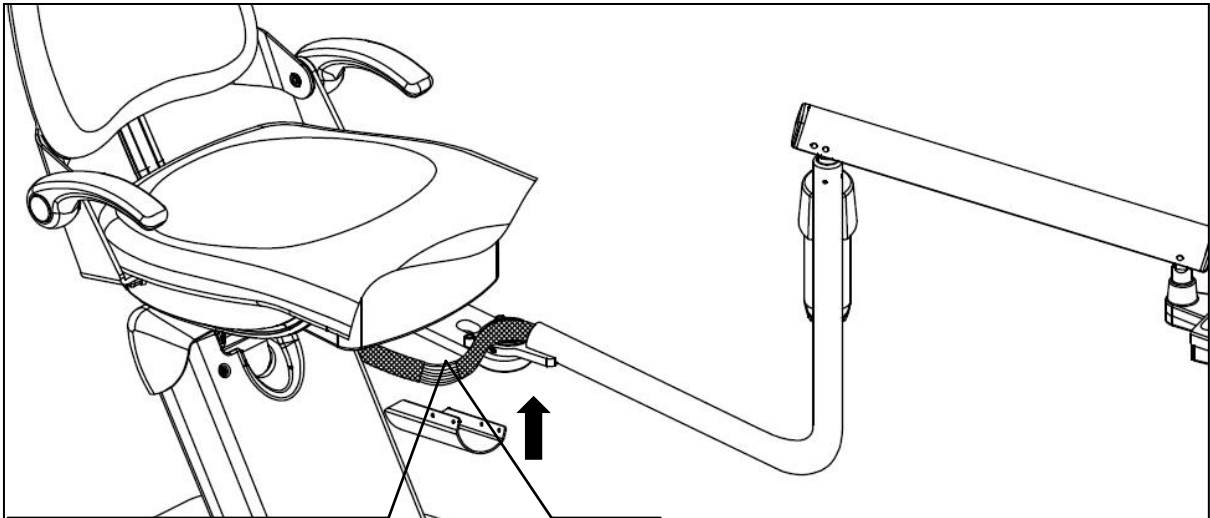
3mm Allen wrench

Figure 12



Installation Manual of Classic 200 Delivery System

3. The tubes of the dentist unit and those reserved of the chair shall be connected by color, and close the cover after connection. Ignore the reserved wires, you have no need to connect them for there's no control panel on delivery head.



Reserved lines of the chair		Tubes from dentist unit	
	1		1. 1/8" white , reserved for dentist unit
	2		2. 1/8" brown, reserved for dentist unit
	3		3. 1/8" red , reserved for dentist unit
	4		4. 1/8" orange, reserved for dentist unit
	5		5. 1/8" black, reserved for dentist unit
	6		6. 1/8" blue, reserved for dentist unit
	7		7. 1/8" yellow, reserved for dentist unit
	8		8. 1/8" green, reserved for dentist unit
	9		9. 1/4" black, reserved for dentist unit
	10		10. 1/4" blue, reserved for dentist unit
	11		11. 1/4" red, reserved for dentist unit
	12		12. Control wire for delivery head
	13		13. 24V,7 core power cord for delivery head
	14		14. 24V power cord for dental light
	15		15. Ground wire for delivery head

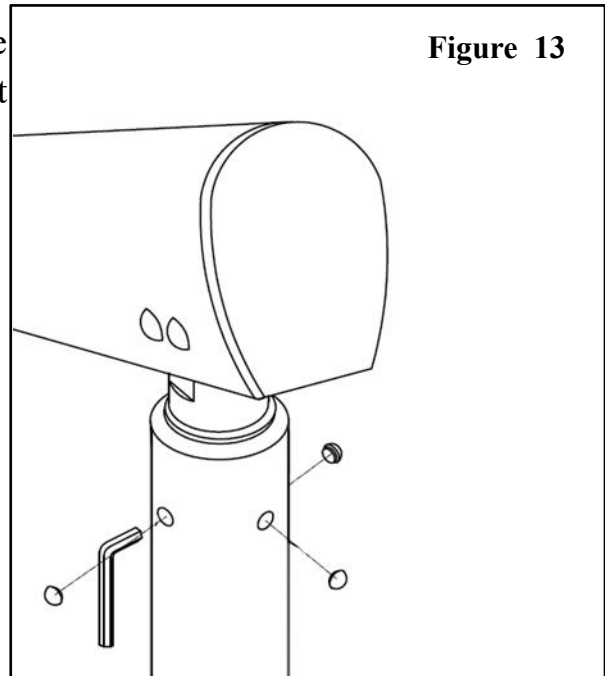
6.4 Adjust the level arm

1. Remove the screw caps, change the tightness of the screws to adjust the damping force of level arm.

Note: Loosen the screws in counterclockwise, tighten in clockwise.

Tools:

3mm Allen wrench

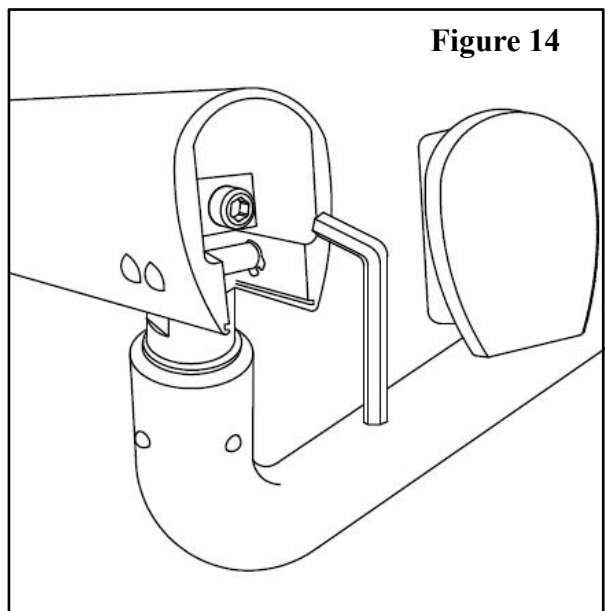


2. Remove the end cover of level arm, adjust the tightness of the screw to get suitable balance force.

Note: Loosen the screws in counterclockwise, tighten in clockwise.

Tools:

5mm Allen wrench

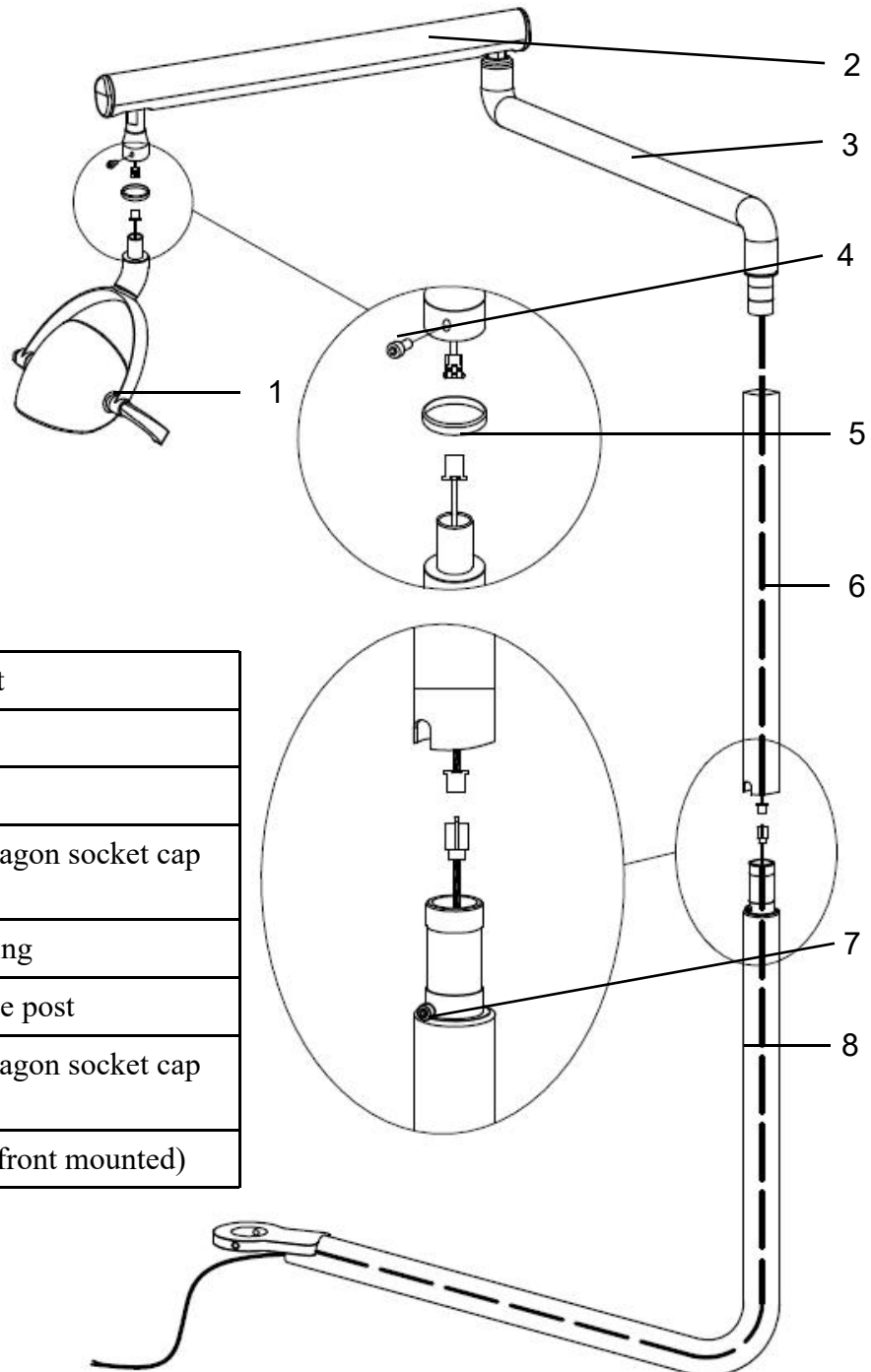


6.5 Install dental light (optional)



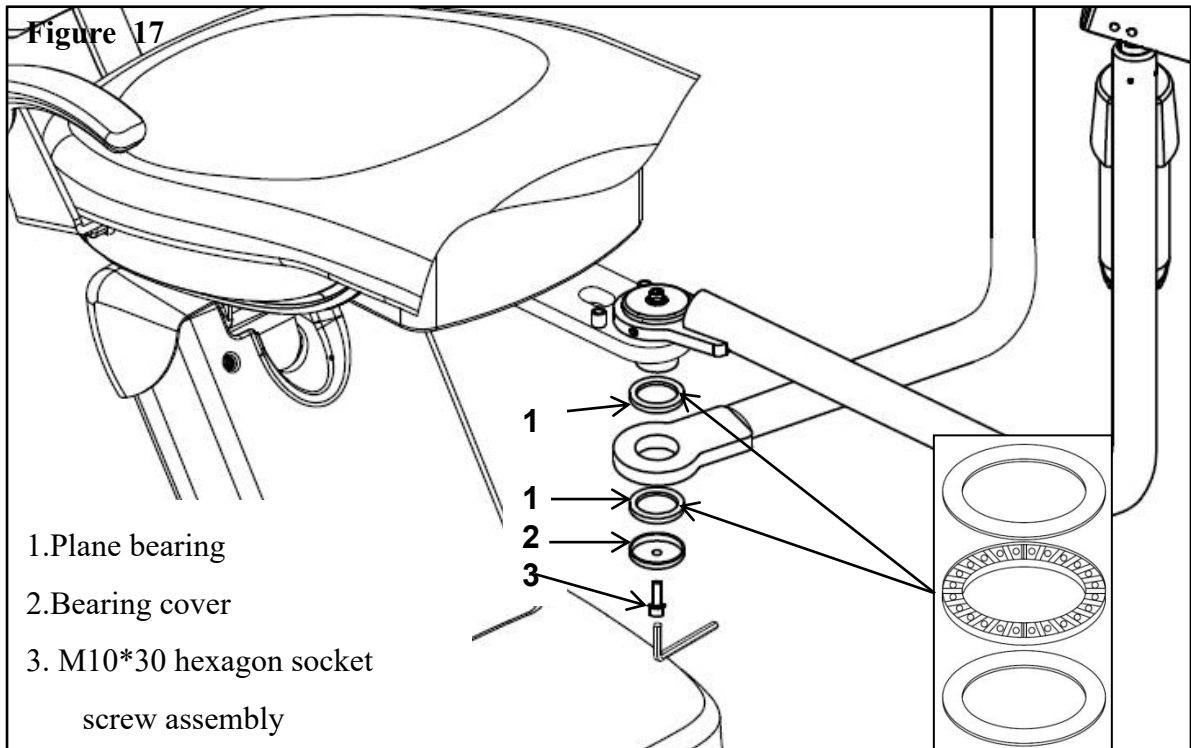
Notice: Please ignore this step if there is no lamp configuration.

Figure 20

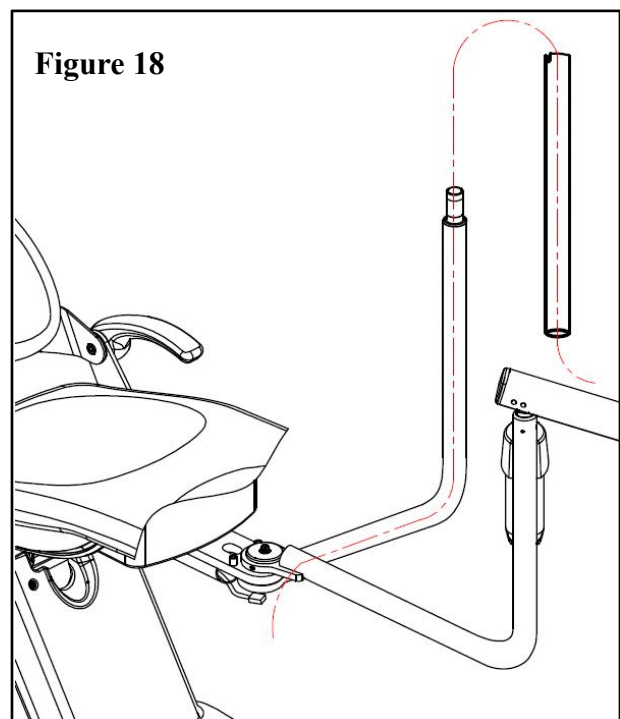


1	Dental light
2	Level arm
3	Rotary arm
4	M5*12 hexagon socket cap screw
5	Cosmetic ring
6	Intermediate post
7	M5*10 hexagon socket cap screw
8	Lamp arm(front mounted)

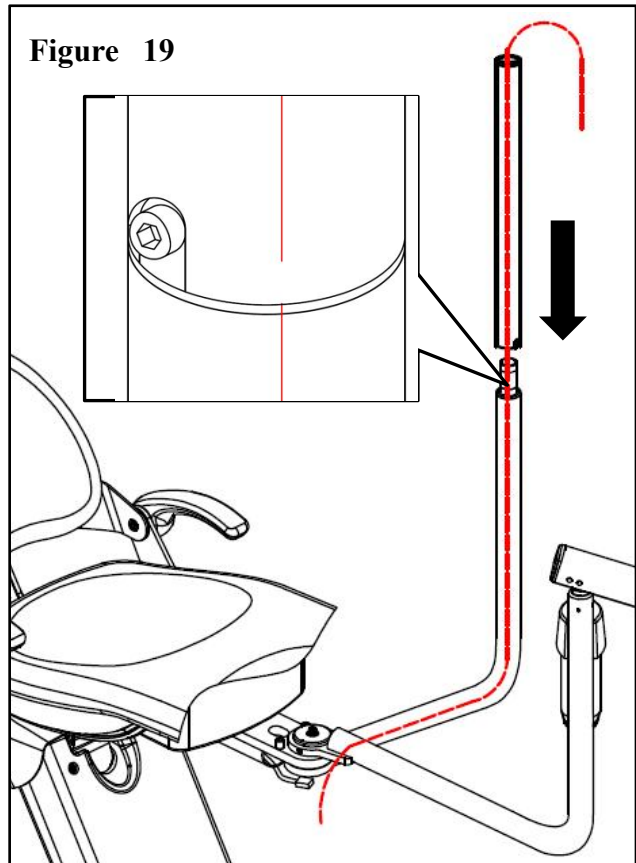
1. Release the M10*30 screw of the connecting plate, mount the lamp arm to the front mounted connecting plate as the figure shown, then fasten the screw.



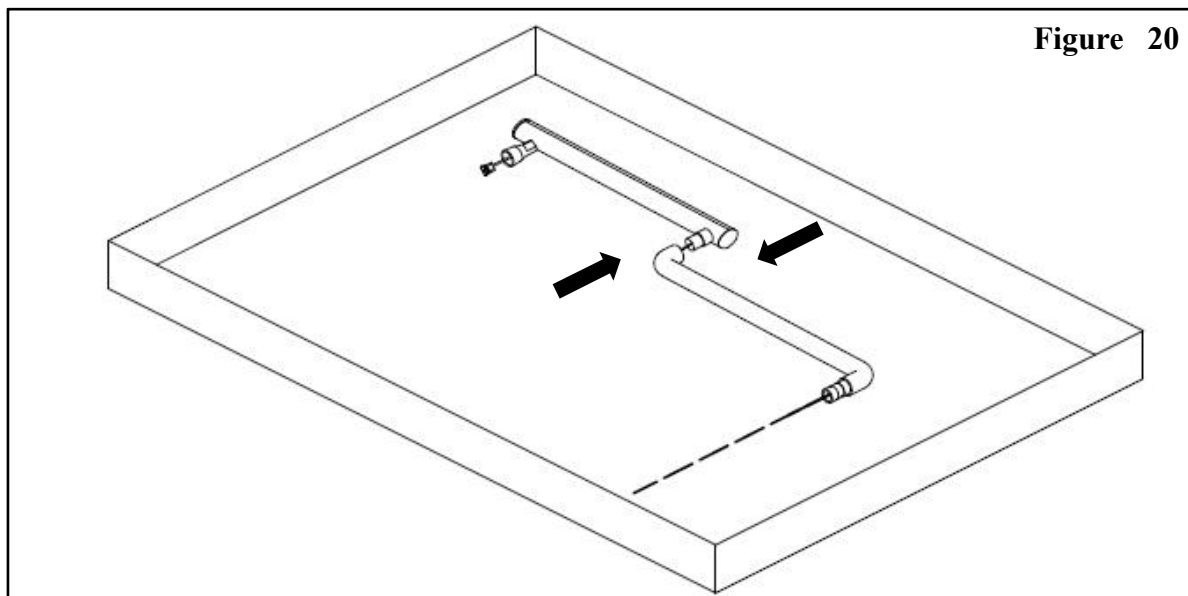
2. Let the guide line route through the intermediate post as the figure shown, the post end which has a jag should be upward.



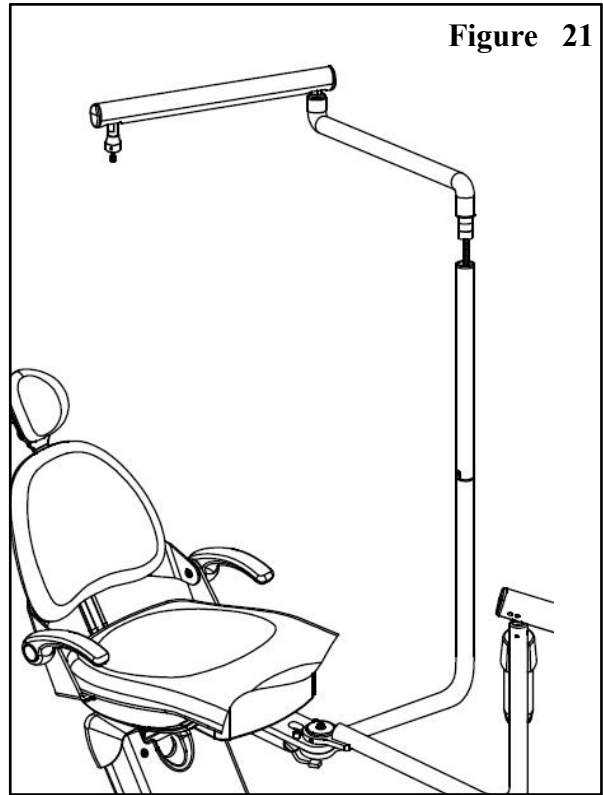
3. Joint the intermediate post and the rotary arm, the jag on the post is screw position .



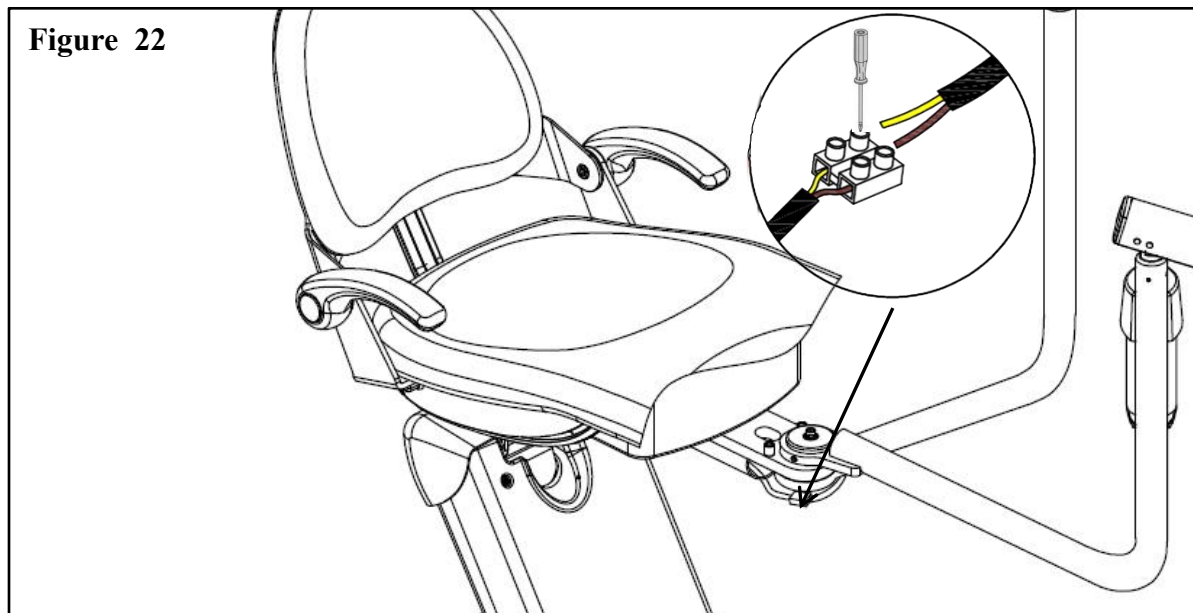
4. Joint the level arm and the rotary arm, take them out from the carton.



5. Tie the light wire and the guide line together, pull the guide line to lead the wire pass through the post and the lamp arm .



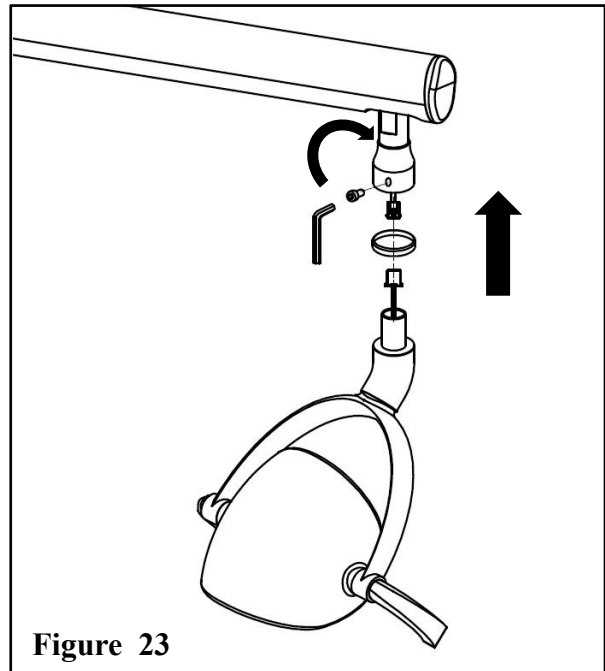
6. Connect the light wires and the reserved wires brown to brown, yellow to blue.



7. Take out the lamp from the package, pass the wire through the cosmetic ring and connect the wire terminals, then joint the light head and the level arm together, fully fasten with a M5*12 screw.

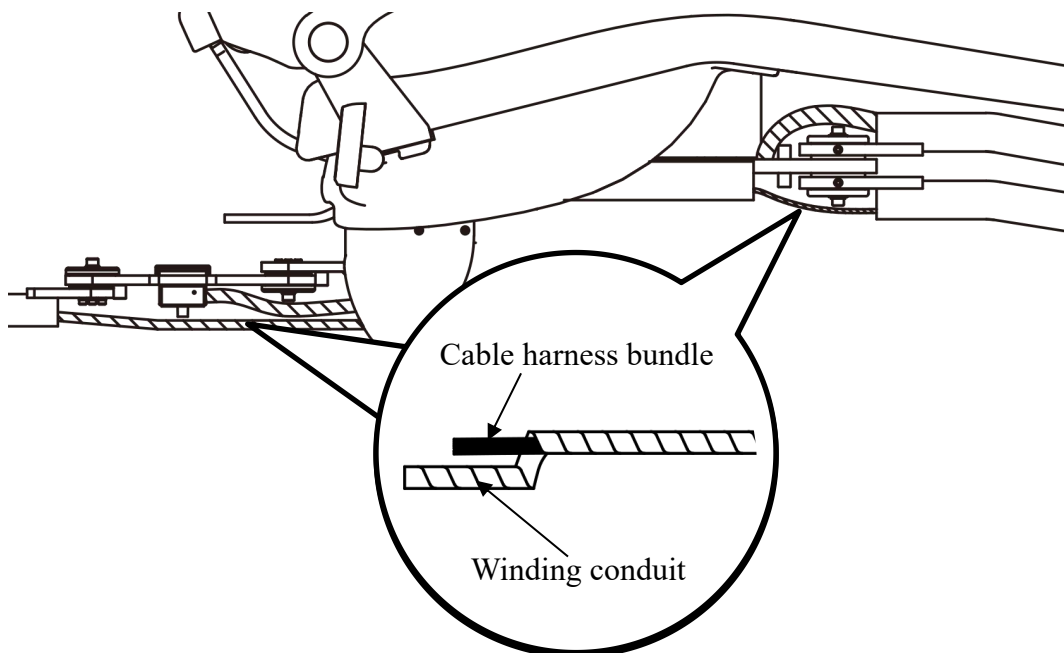
Note: Hold the lamp, do not drop it to avoid damage.

Tools:
4mm Allen wrench



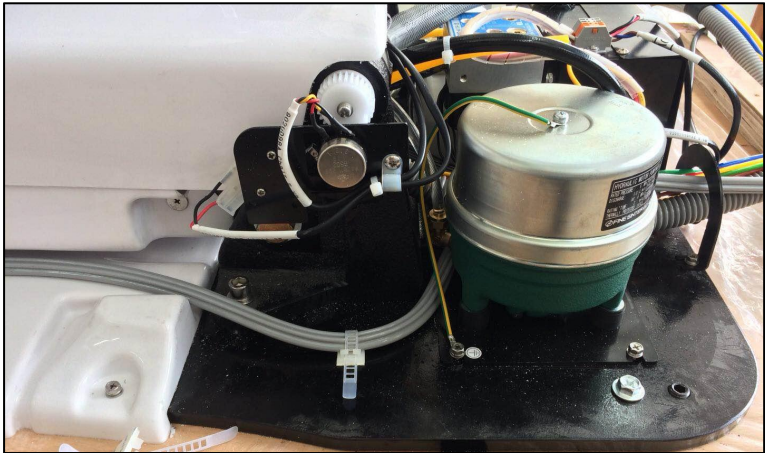
6.6 Post-Installation Wire Harness Protection

1. Upon completion of dental chair installation procedures, enclose any exposed sections of the internal wire harness bundle within a flexible winding conduit.

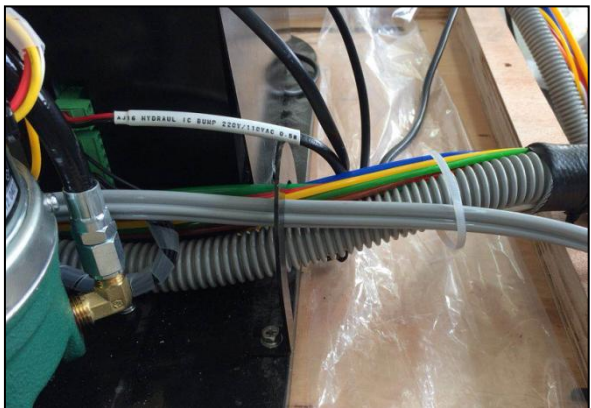


6.7 Install foot control

1. Pass the foot tube over the side of hydraulic pump, fix the tube by clips.



2. Bind the front part of the foot tube and the tube bundle together with zip ties.



3. The other end of the foot tube shall reach out from the side of front shell .



6.8 Before junction box connection

Figure 25

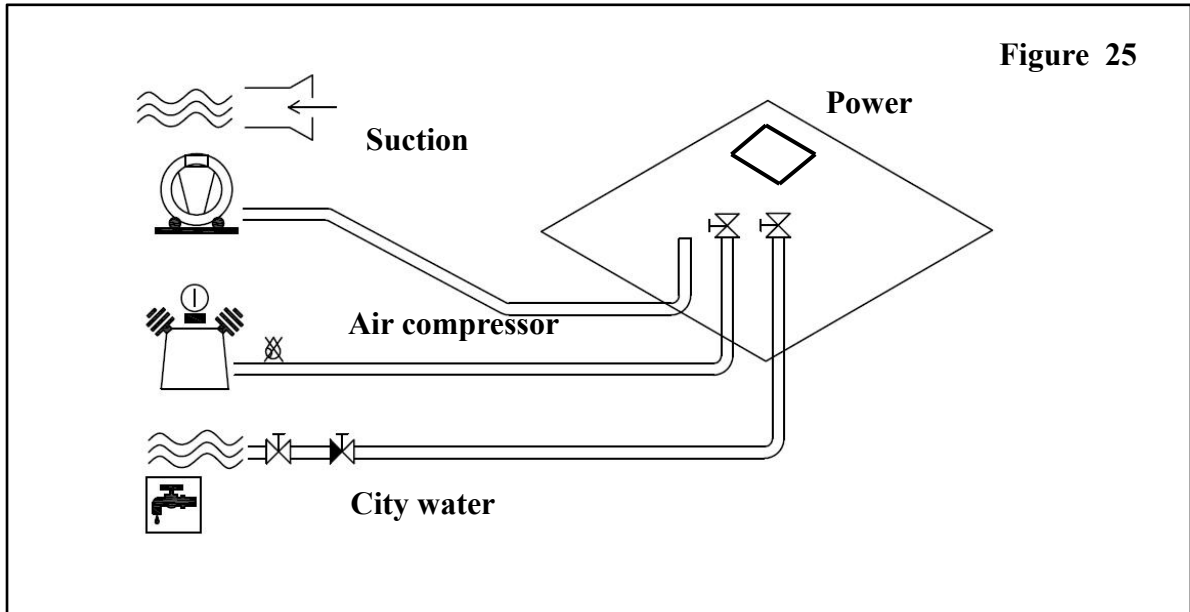
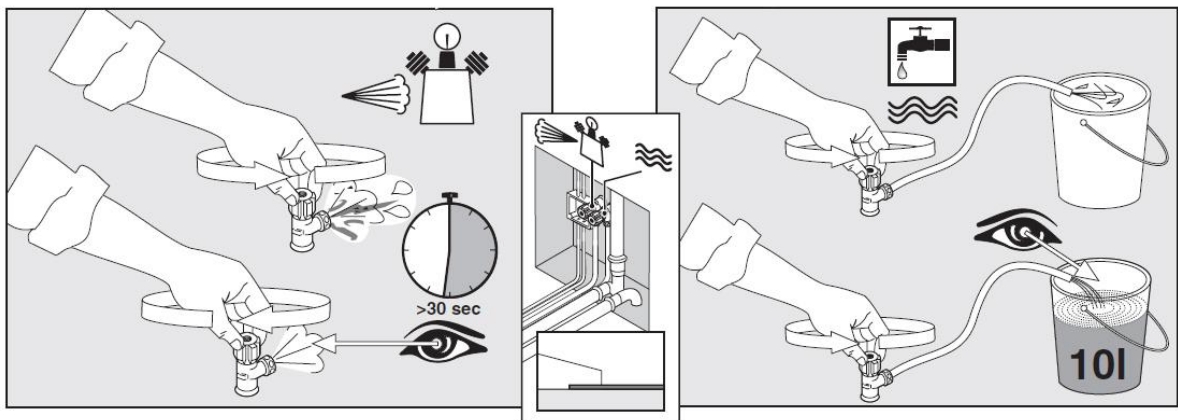


Figure 26

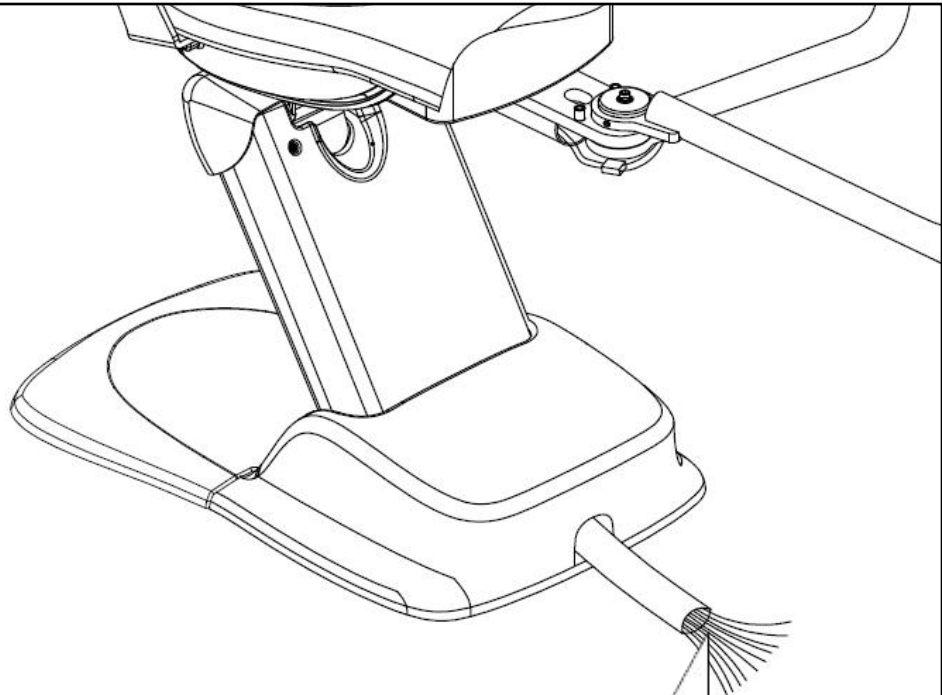


The tubes & wires are in the tubing zone or inside the external junction box, their places depend on your chair configurations.

1. Open the valves to exhaust water and air, clean the tubes before connecting.
- 2.. Open the cover of the junction box, connect the air-in, water-in and water-out .
3. Take out the power box of dental light ,connect the power cord to the power box, and plug into the socket.
4. Close the cover after making sure they are well-performed.

6.9 Connections of junction box

Figure 27



1. 1/8" white, reserved for dentist unit
2. 1/8" brown, reserved for dentist unit
3. 1/8" red, reserved for dentist unit
4. 1/8" orange, reserved for dentist unit
5. 1/8" black, reserved for dentist unit
6. 1/8" blue, reserved for dentist unit
7. 1/8" yellow, reserved for dentist unit
8. 1/8" green, reserved for dentist unit
9. 1/4" black, reserved for dentist unit
10. 1/4" blue, reserved for dentist unit
11. 1/4" red, reserved for dentist unit
12. 1/4" green, reserved for assistant's control
13. 1/4" yellow, reserved for assistant's control
14. drainage tube

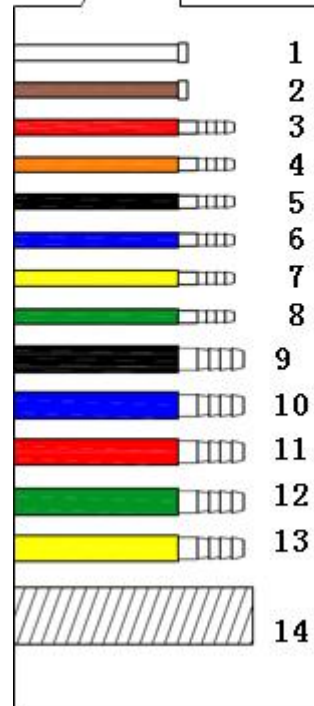
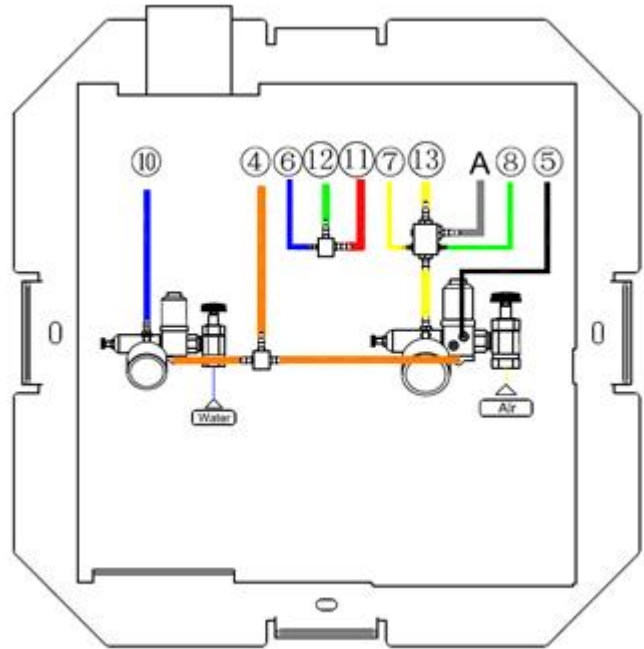


Figure 28

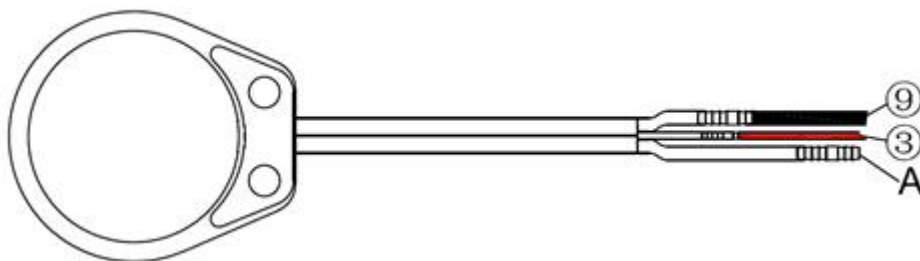
The tubes of junction box and those of the chair shall be connected by color.



Foot tubes connection

Connect the foot tubes and the tubes of junction box & the chair by color.

Figure 29



We reserve the right to make any alterations which may be due to technical improvements.



710422

ADS Dental System Inc.

Add: 1590 S Milliken Ave., unit A, Ontario, CA 91761
Tel: (626) 620 0456
E-mail: ads@adsequip.com
<http://www.adsequip.com/>