



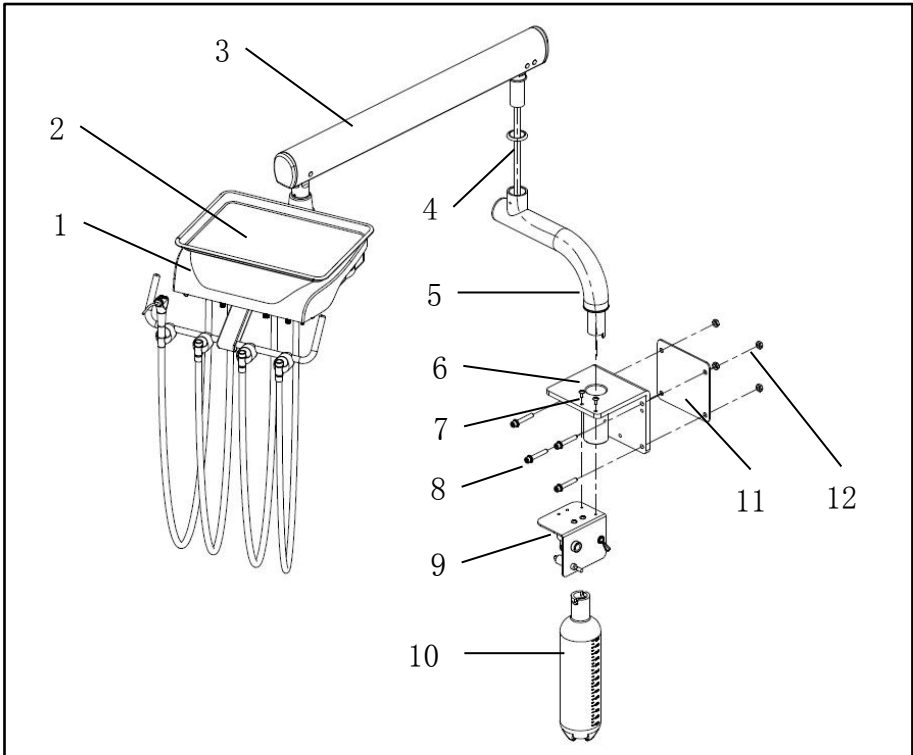
<http://www.adsequip.com>

Installation manual of cabinet/wall side mount delivery system

CONTENTS

1 Classic cabinet/wall side mount delivery system.....	1
2 Beyond cabinet/wall side mount delivery system.....	4
3 Water diagram.....	9

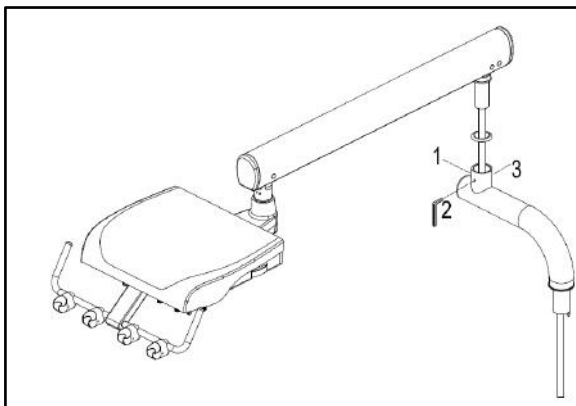
1 Classic cabinet/wall side mount delivery system



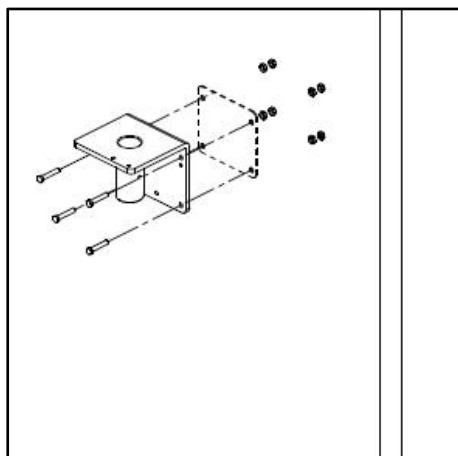
1	Delivery head	7	Philips flat head screw of M5*12
2	Stainless Steel Tray	8	M8*65 outer hexagonal screw
3	Level arm	9	Fixed bracket of water bottle
4	Cosmetic ring of level arm	10	Water bottle
5	Rotary arm	11	Fixed plate of bracket
6	Fixed bracket	12	Nut of M8

Installation manual of cabinet/wall side mount delivery system

1. Insert the level arm to the hole of rotary arm. Connect the line and adjust three pcs socket head set screw to get the suitable pulling force.

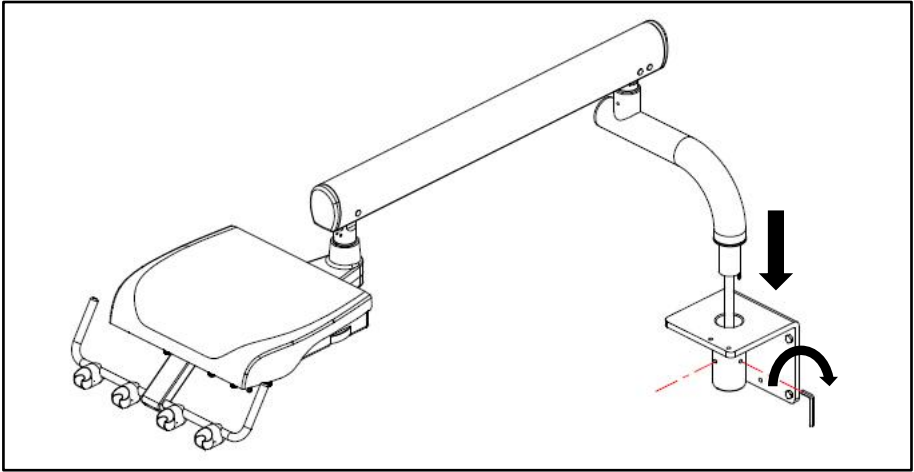


2. Install the fixed bracket to the cabinet with 4pcs M8*65 outer hexagonal screw and nut.

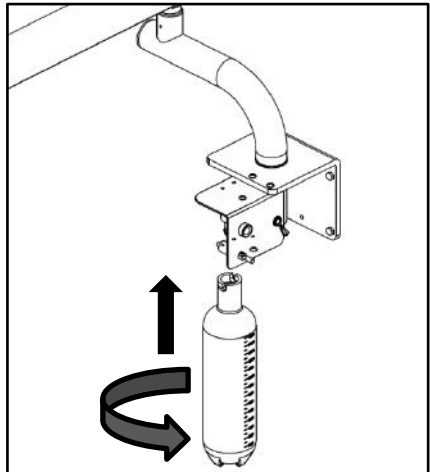
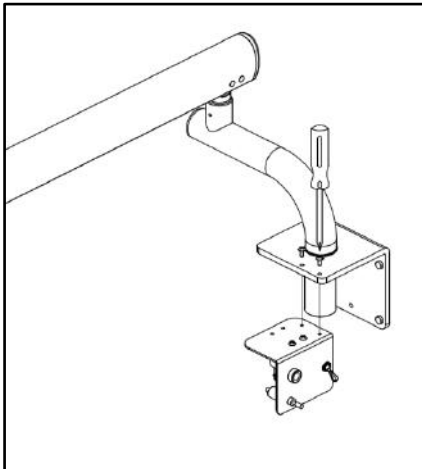


Installation manual of cabinet/wall side mount delivery system

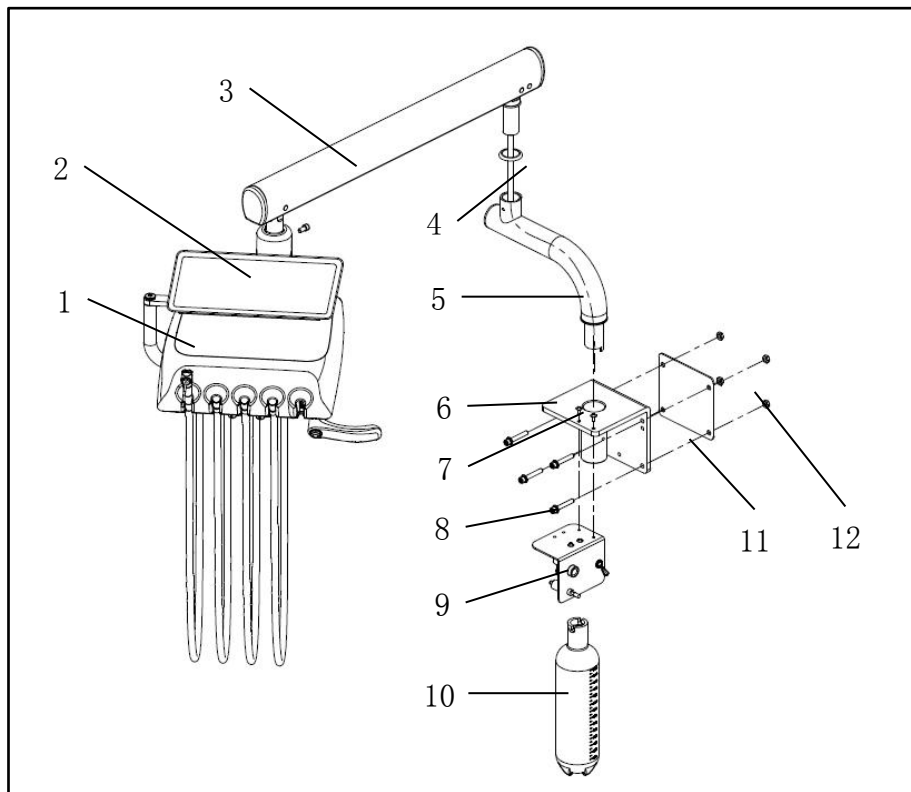
3. Let the lines of delivery head through the hole of rotary arm, insert the rotary arm the fixed bracket, adjust three pcs socket head set screw to get the suitable pulling force.



4. Install the fixed bracket of water bottle to the fixed bracket with Philips flat head screw of M5*12, and install the water bottle.



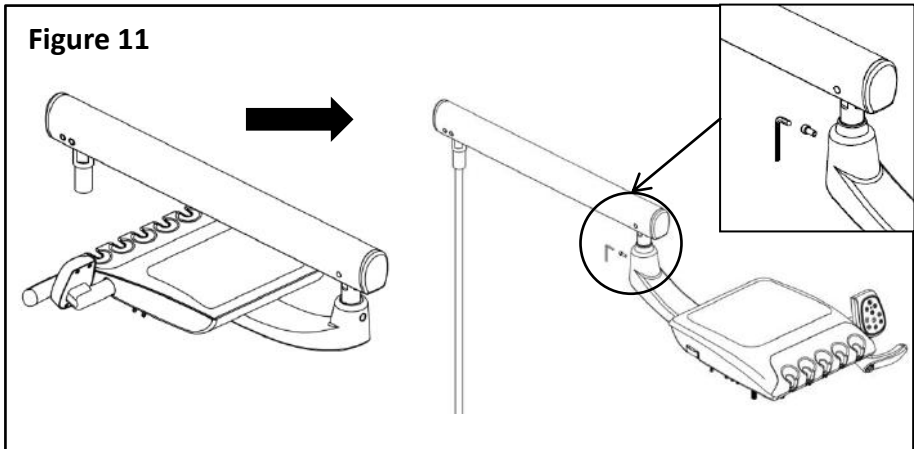
2 Beyond cabinet/wall side mount delivery system



1	Delivery head	7	Philips flat head screw of M5*12
2	Stainless Steel Tray	8	M8*65 outer hexagonal screw
3	Level arm	9	Fixed bracket of water bottle
4	Cosmetic ring of level arm	10	Water bottle
5	Rotary arm	11	Fixed plate of bracket
6	Fixed bracket	12	Nut of M8

Installation manual of cabinet/wall side mount delivery system

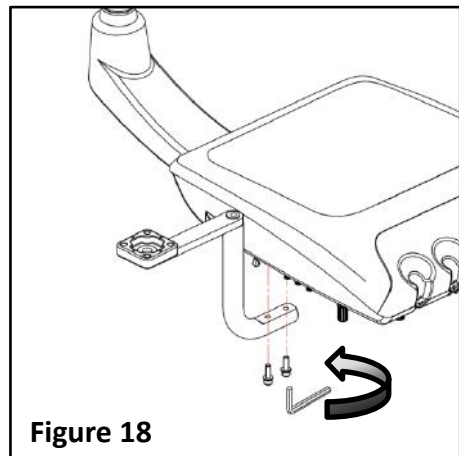
1. Remove the dentist unit after the Delivery head turn around, with the Allen screw in one M6 * 20 Delivery head and balance arm fixed, prevent rotation.



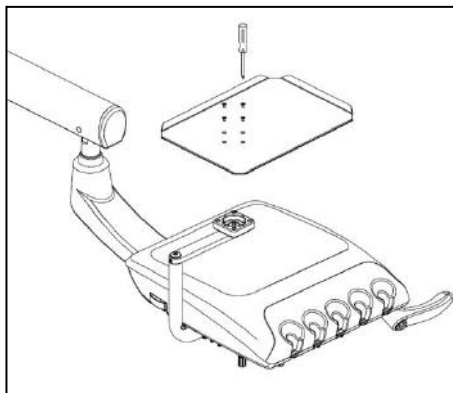
2. Install the tray holder to the bottom of delivery head, and fix with two M6*20 hex cap screws.

Tools:

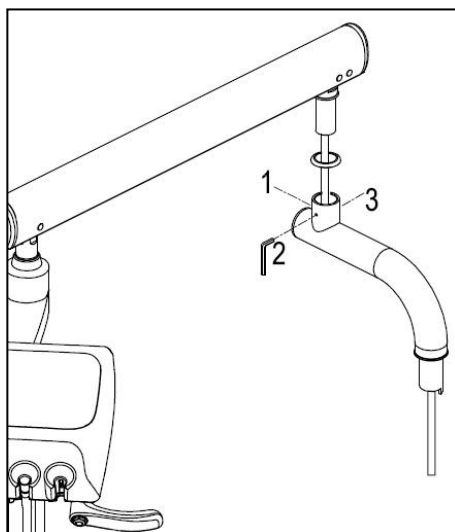
5mm Allen wrench



3. Install the tray on the tray holder and fix with four M3*6 Philip's countersunk screws

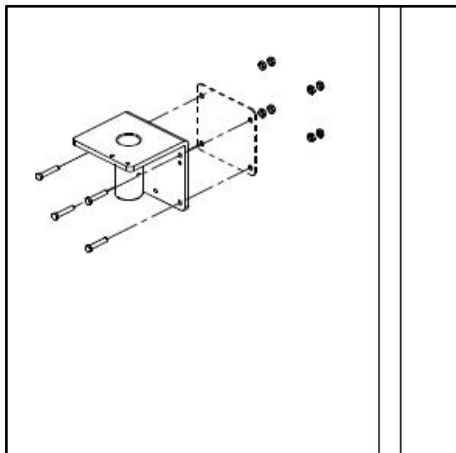


4. Insert the level arm to the hole of rotary arm. Connect the line and adjust three pcs socket head set screw to get the suitable pulling force.

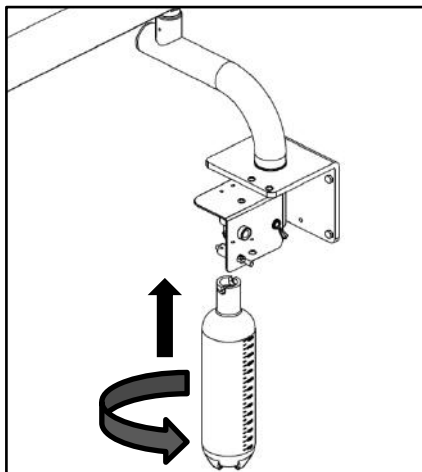
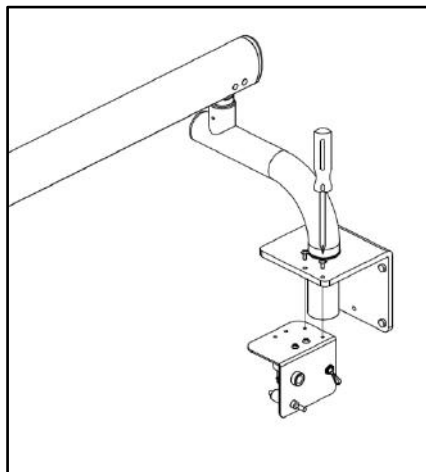


Installation manual of cabinet/wall side mount delivery system

5. Install the fixed bracket to the cabinet with 4pcs M8*65 outer hexagonal screw and nut.

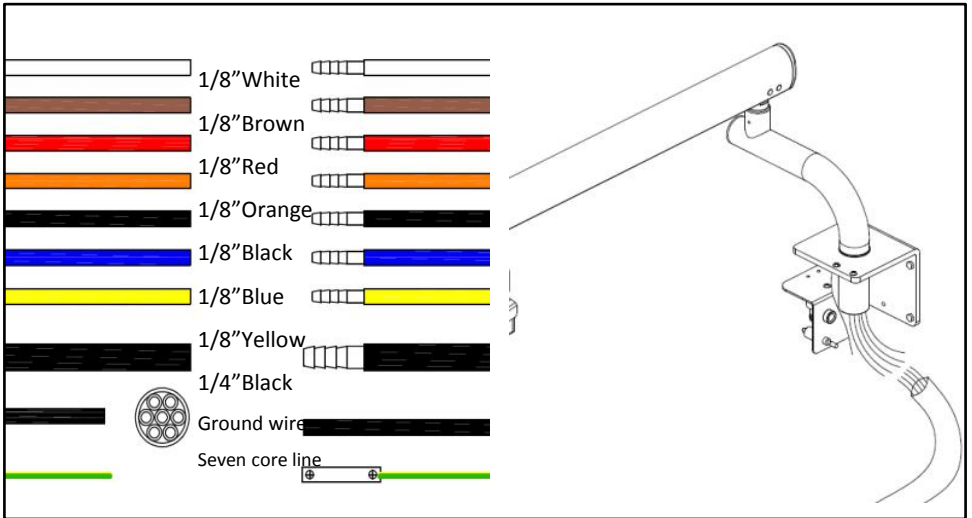


6. Install the fixed bracket of water bottle to the fixed bracket with Philips flat head screw of M5*12, and install the water bottle.

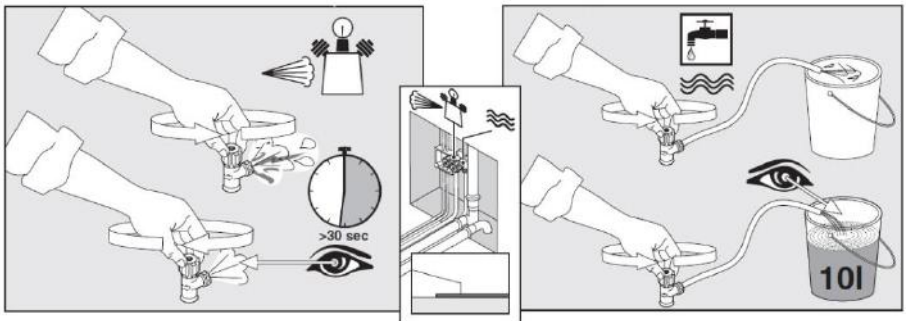


Installation manual of cabinet/wall side mount delivery system

Connect the tube according to the color, and connect the vacuum line to the fixed shaft.

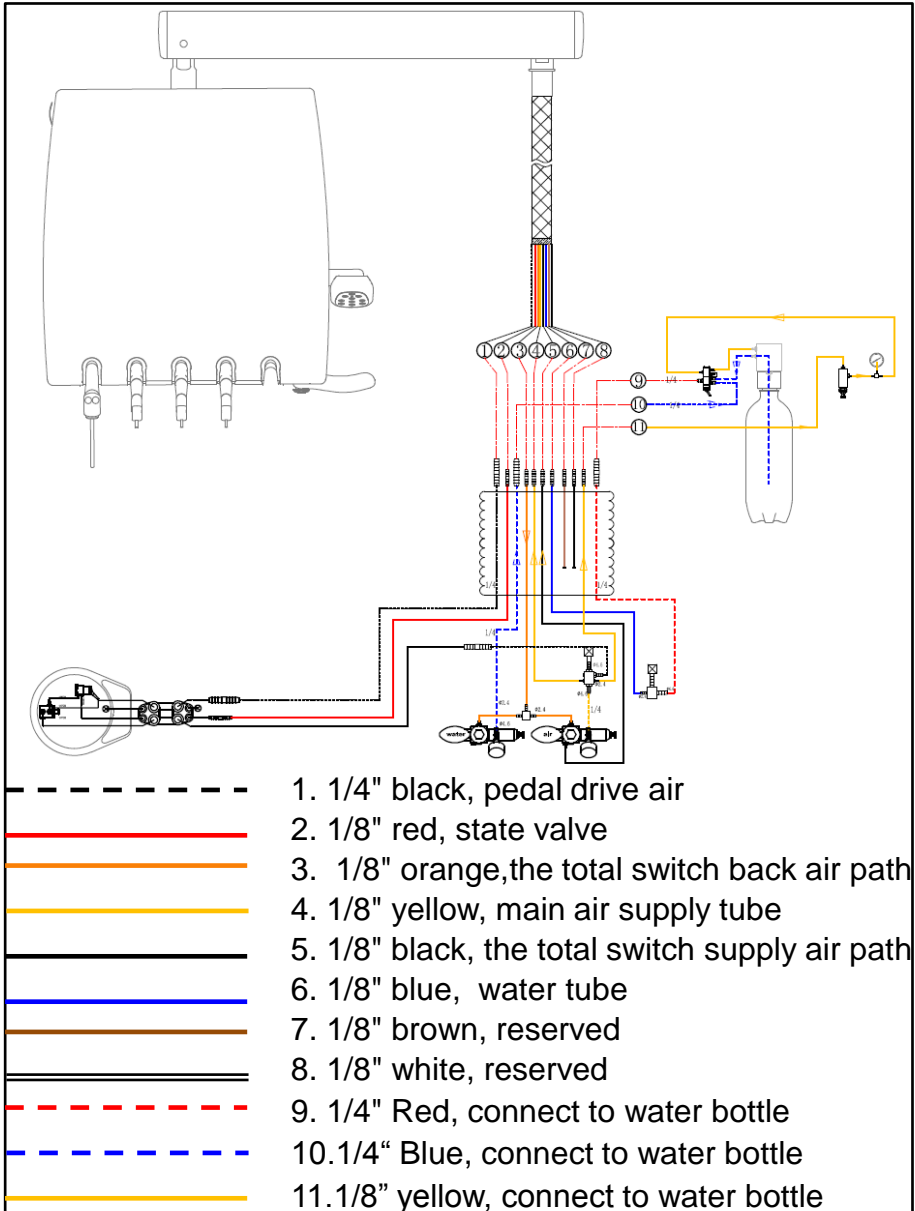


Connect the water and air



1. Open the valves to exhaust water and air, clean the tubes before connecting.
2. Connect the air-in, water-in.
3. Make sure they are well-performed.

4 Water diagram



We reserve the right to make any alterations which may be due to technical improvements.



ADS Dental System Inc.

Add: 1590 S Milliken Ave., unit A, Ontario, CA 91761

Tel: (626) 620 0456

E-mail: ads@adsequip.com

<http://www.adsequip.com/>