



<http://www.adsequip.com/>

# **Installation Manual of Dental LED Light**

## **Copyrights**

ADS makes no warranty of any kind with regard to this material , including but not limited to, the implied warranties of merchantability and fitness for a particular purpose. ADS shall not be held liable for any errors contained herein or any consequential or other damages concerning furnishing, performance or use of this material. The information in this document is subject to change without notice. If you find any problems in the documentation, please report them to us in writing. ADS does not warrant that this document is error-free.

No part of this document may be copied, reproduced, altered, or transmitted in any form or by any means, electronic or mechanical, including photocopying, recording, or by any information storage and retrieval system, without prior written permission from ADS.

The document is intended to be used in conjunction with the equipment.

## **Comments and feedbacks**

Please contact us if you have any feedback and opinions on this document :

Add: 1590 S Milliken Ave., unit A, Ontario, CA 91761

Tel: (626) 620 0456

E-mail : [sales@adsequip.com](mailto:sales@adsequip.com)

<http://www.adsequip.com/>

## **Product service**

If you want to get service information, please contact the local dealer authorized by ADS company.

Technical support tel : 800 488 9708

# CONTENTS

<b>1</b>	<b>Symbols explanation.....</b>	<b>1</b>
<b>2</b>	<b>Preparations Attentions.....</b>	<b>1</b>
<b>3</b>	<b>Tools recommended .....</b>	<b>2</b>
<b>4</b>	<b>Installation for post mount.....</b>	<b>3</b>
<b>5</b>	<b>Installation for swing mount.....</b>	<b>7</b>

**Note:** This manual is available for those model as below:

Post mount Whale LED Dental Light












Swing mount Whale LED Dental Light

Post mount Amber LED Dental Light

Swing mount Amber LED Dental Light

# 1 Symbols explanation

Table 1

 <p>Manufacturer</p>	 <p>EU Representative</p>	 <p>Notice</p>
 <p>Manufacturing Date</p>	 <p>Serial Number</p>	 <p>Avoid Electric Shock</p>
 <p>Handle with Care</p>	 <p>Keep dry</p>	 <p>Ground protection</p>
 <p>Refer to introductions</p>	 <p>Refer to attached documents</p>	



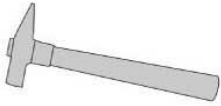
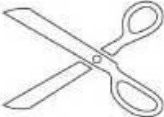






# 2 Preparations Attentions

**Before install the unit, please read the manual carefully:**

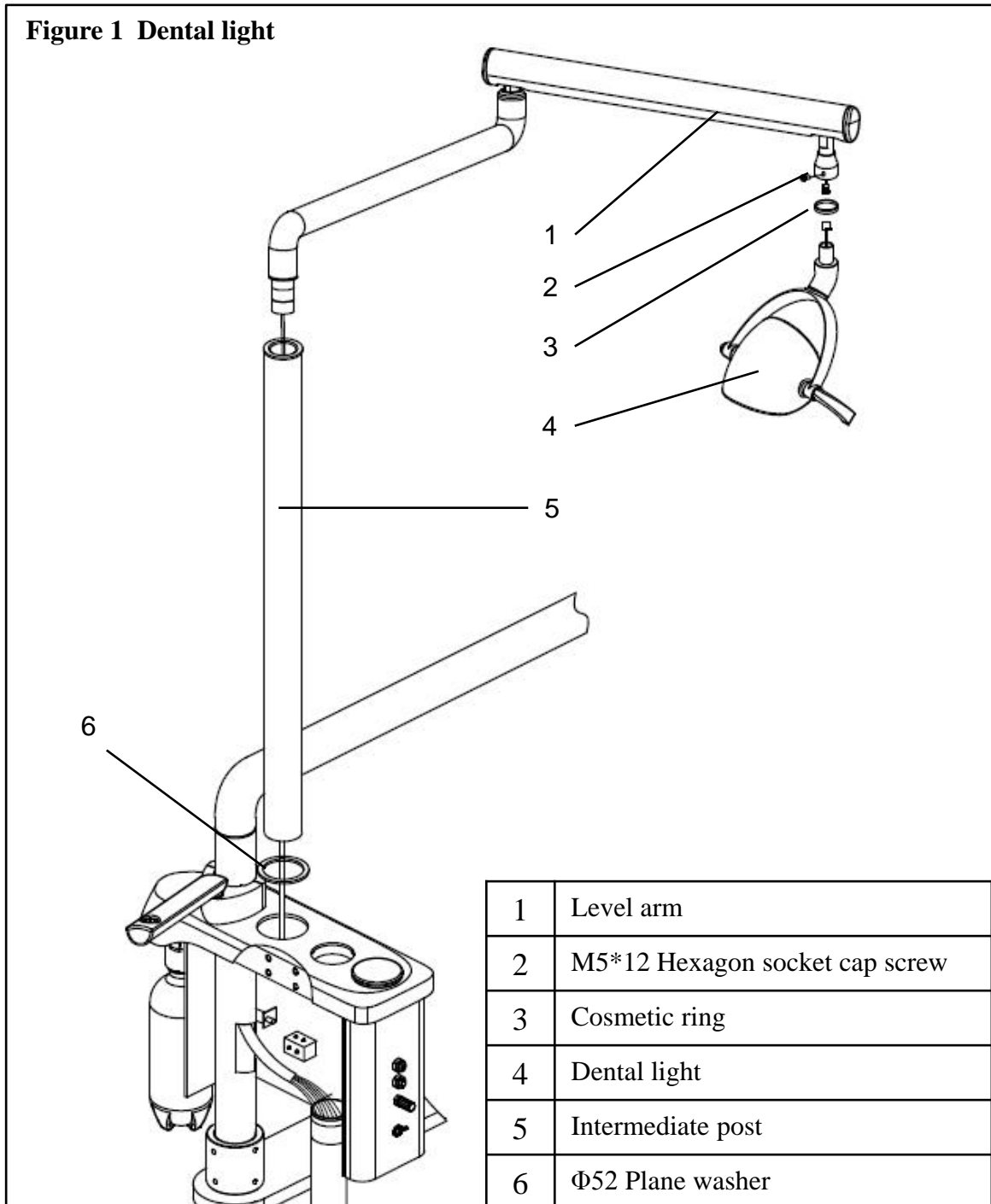
- Input voltage AC110 V, 60 Hz.
- Make sure the dental unit is in good grounding.
- All the electrical components and connections should be made by an authorized technician.
- Only fuses and accessories recognized by ADS technician can be used.
- This device should not operate in the environment of high temperature, high humidity, vibration, flammability, unbalance, or dusty.
- Only the authorized spare parts can be used in this device.
- This device can not be used in the environment of strong magnetic, electromagnetic.

### 3 Tools recommended

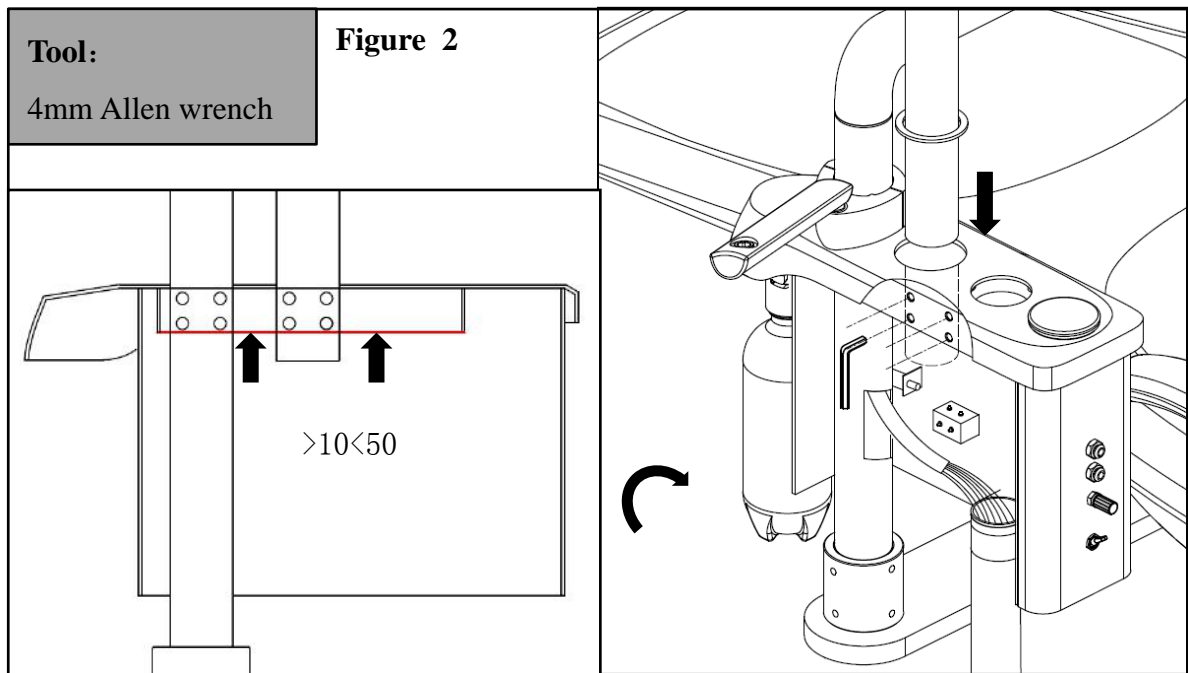
The tools and instruments need to prepare before installation.

	Electrical drill		Pincers
	Hammer		Scissors
	Leveling instrument		Flat-bladed Screw driver
	Phillip screw driver		Allen wrench
	Spanner		Hexagon socket wrench

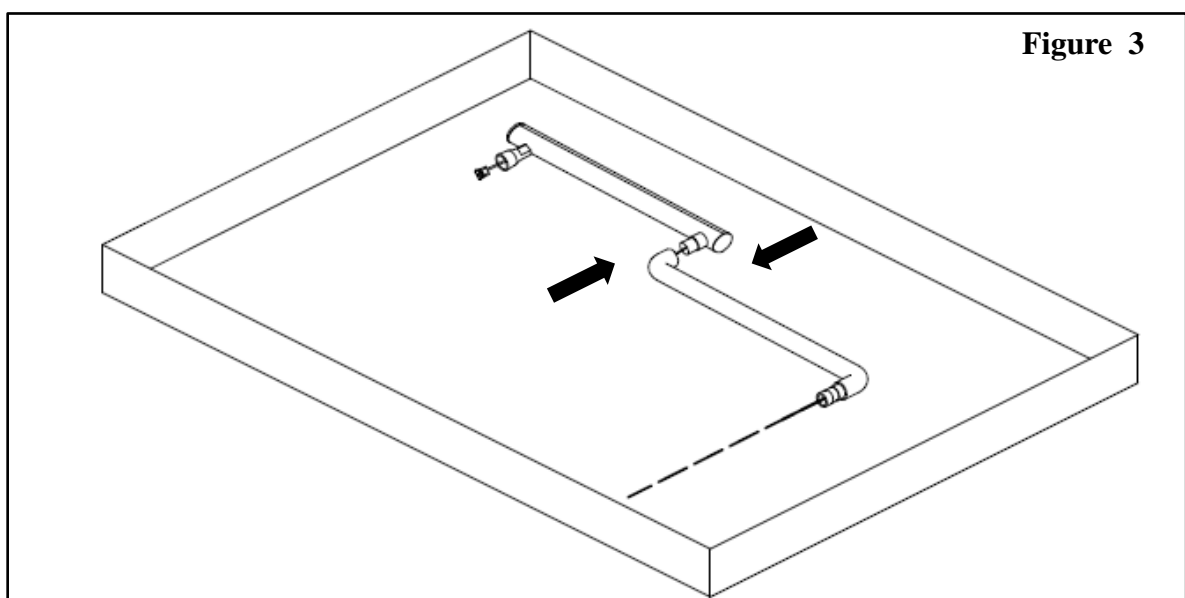
## 4 Installation for post mount



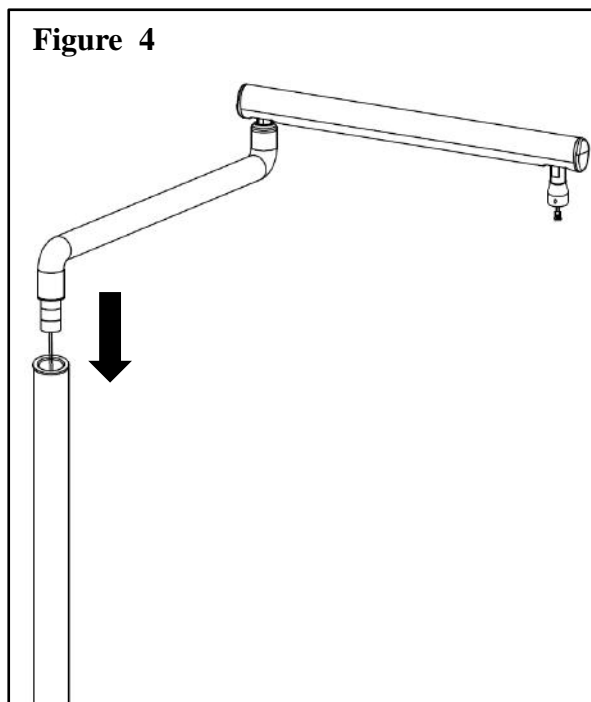
1. Let the intermediate post pass through the plane washer, put the post into the mounting hole and fix the post with M8\*10 set screws.(Move the cover of side box upward can tighten the screws easier.)



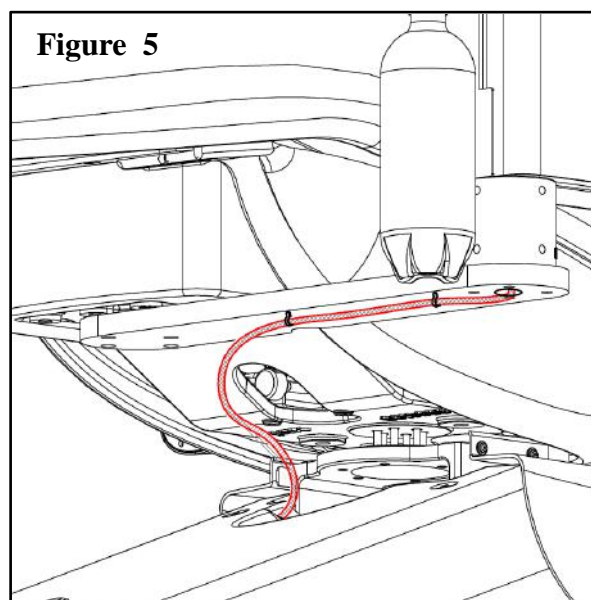
2. Joint the level arm and the rotary arm, take them out from the carton.



- Put the connecting shaft of lamp arm into the intermediate post, let the wire pass through the post and reach to the water unit.

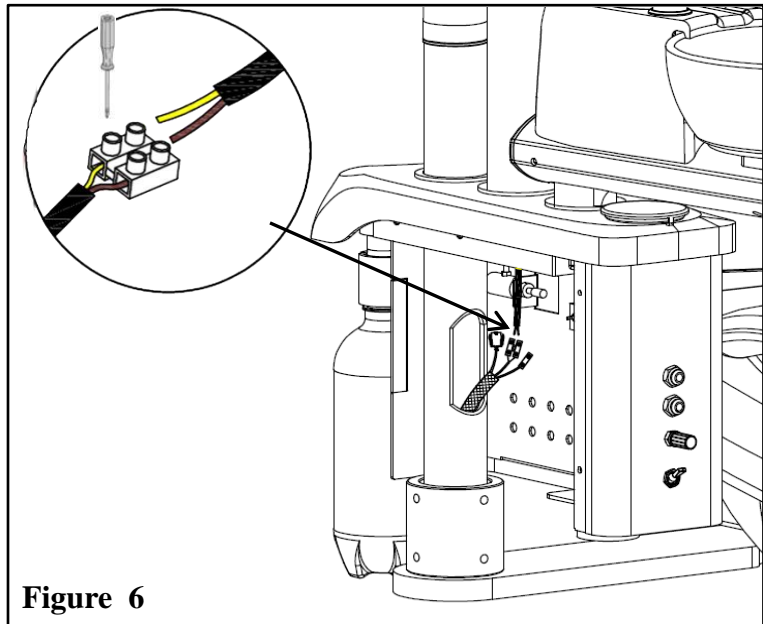


- Fix the reserved light wire to the chair adapter, and pass through the hole of the adapter.





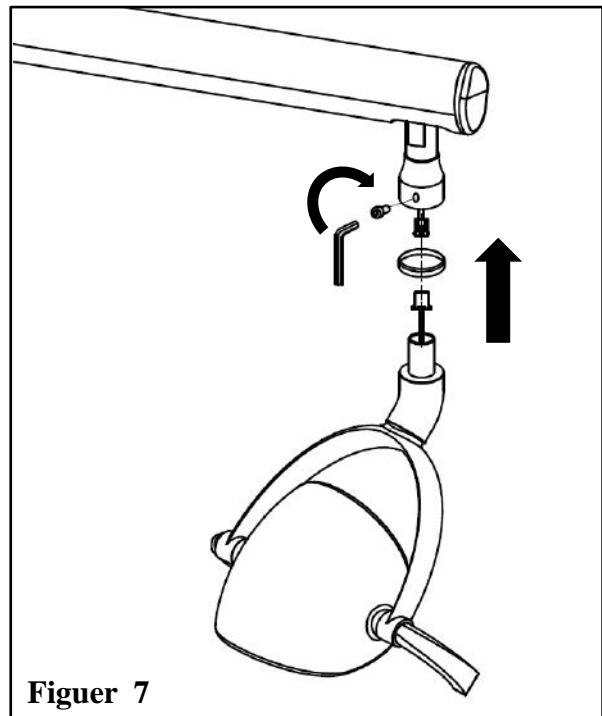
5. Pull out the reserved light wire form the hole, and connect to the light wire from the itermmediate post by color.



6. Take out the lamp from the package, pass the wire through the cosmetic ring and connect the wire terminals, then joint the light head and the level arm together, fully fasten with a M5\*12 screw.

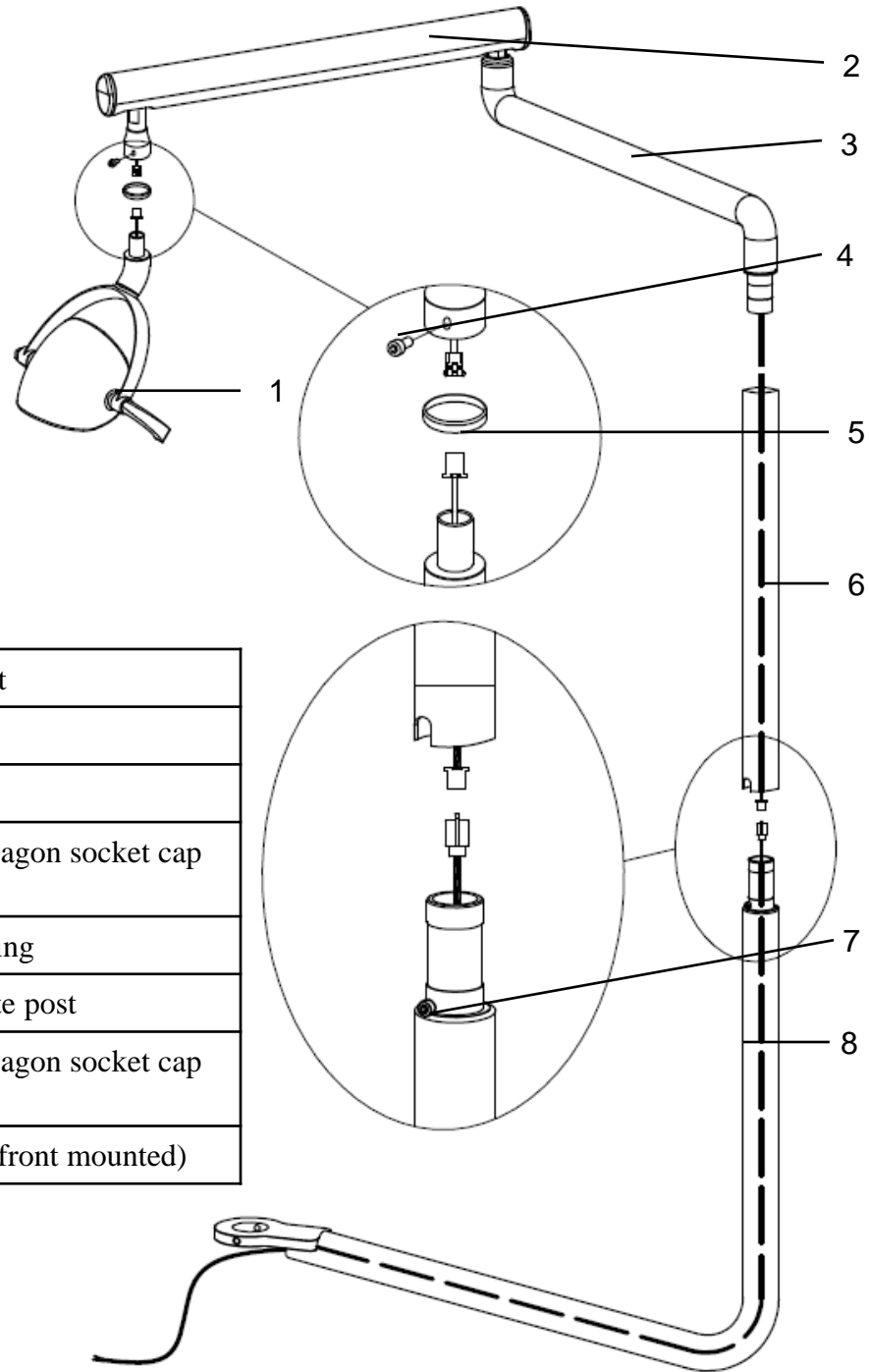
**Note:** Hold the lamp, do not drop it to avoid damage.

**Tool:**  
4mm Allen wrench



## 5 Installation for swing mount

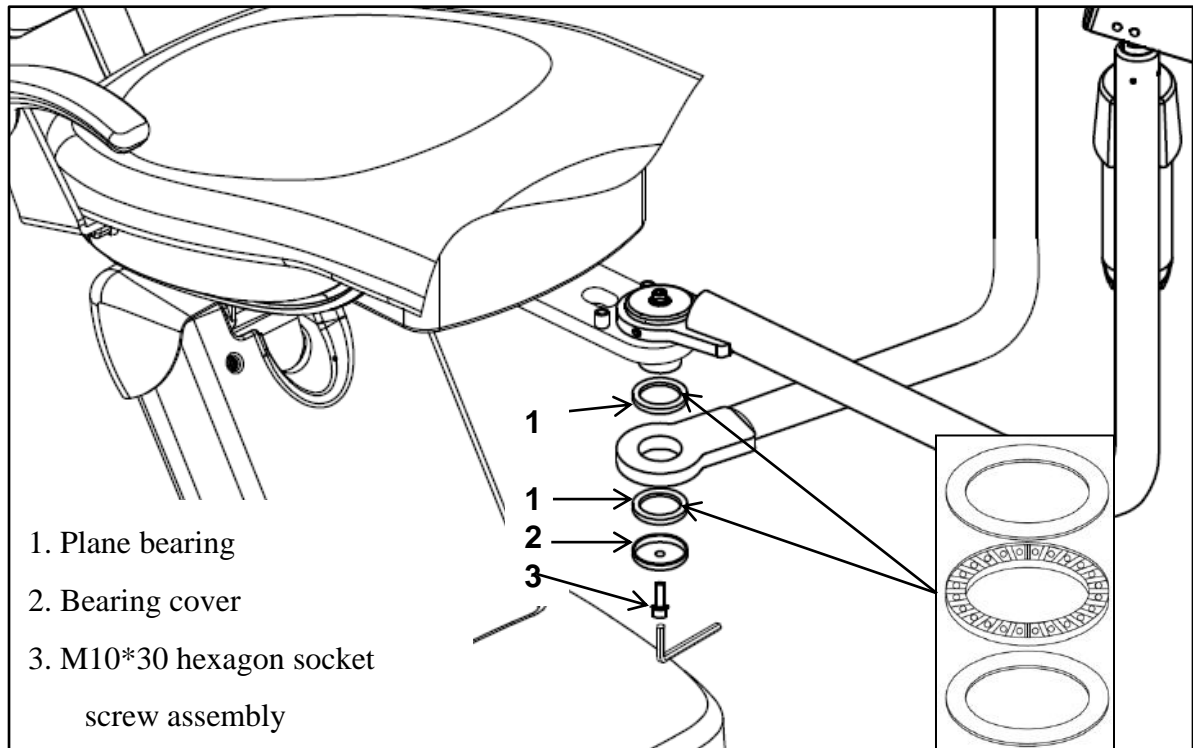
Figure 8



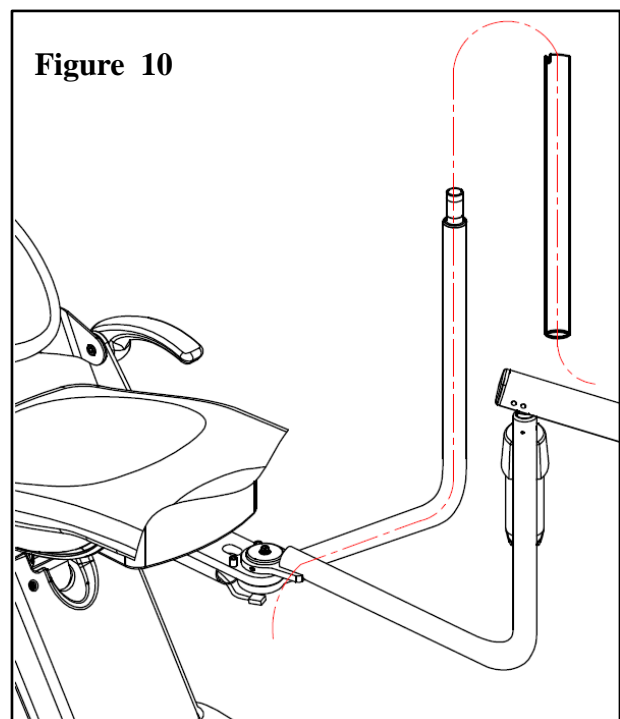
1	Dental light
2	Level arm
3	Rotary arm
4	M5*12 hexagon socket cap screw
5	Cosmetic ring
6	Intermediate post
7	M5*10 hexagon socket cap screw
8	Lamp arm(front mounted)

1. Release the M10\*30 screw of the connecting plate, mount the lamp arm to the front mounted connecting plate as the figure shown, then fasten the screw.

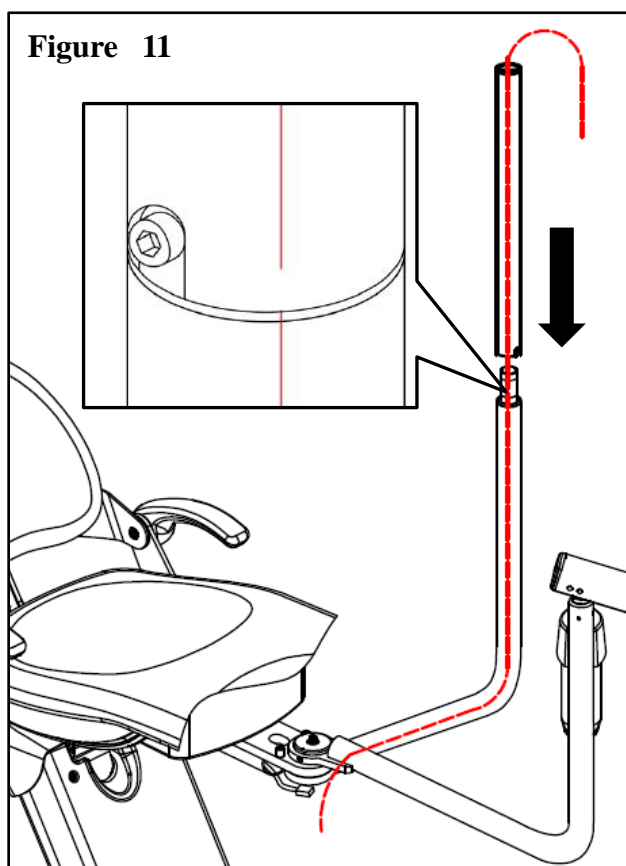
Figure 9



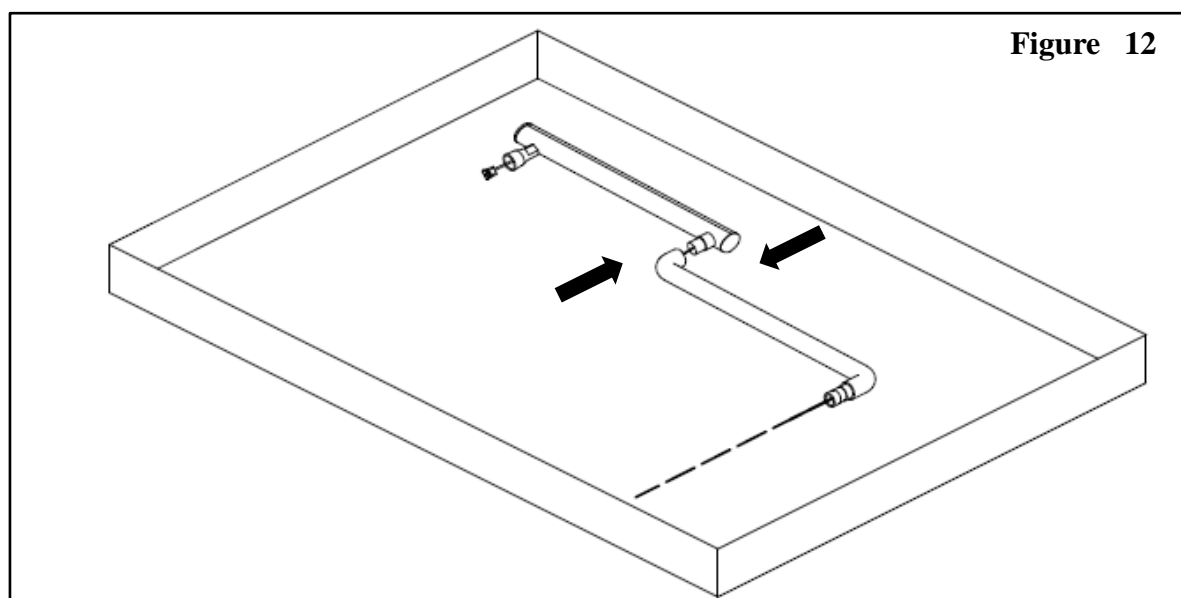
2. Let the guide line route though the intermediate post as the figure shown, the post end which has a jag should be upward.



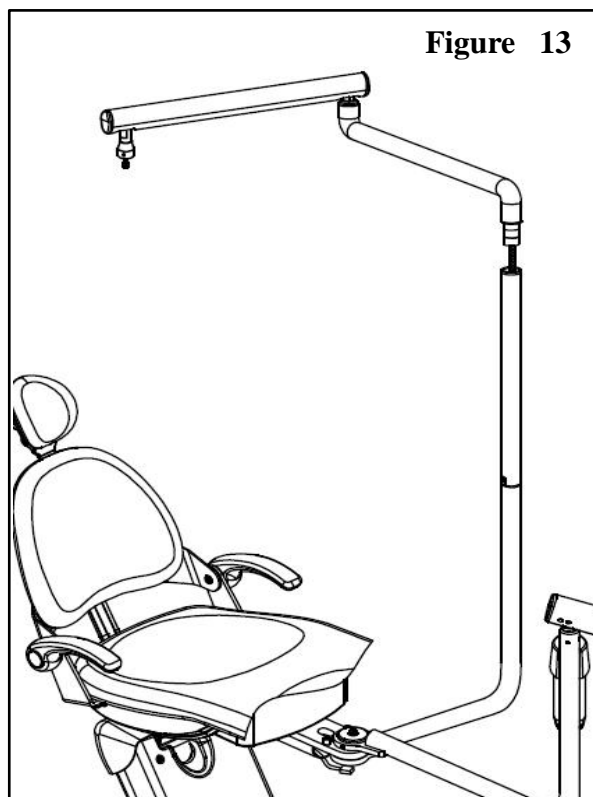
3. Joint the intermediate post and the rotary arm, the jag on the post is screw position.



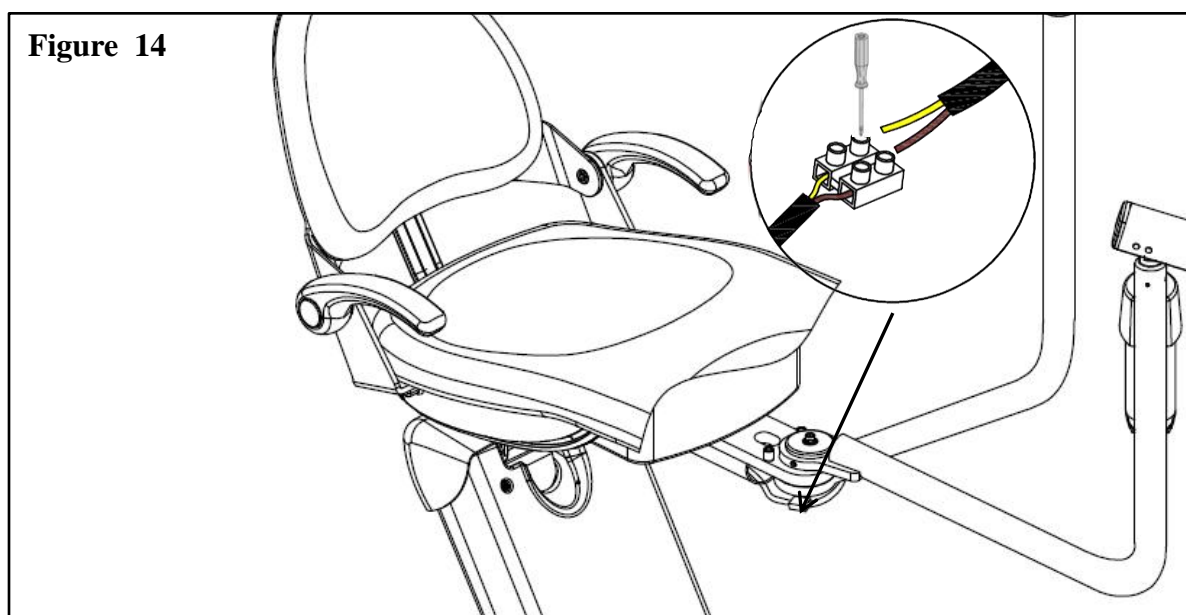
4. Joint the level arm and the rotary arm, take them out from the carton.



5. Tie the light wire and the guide line together, pull the guide line to lead the wire pass through the post and the lamp arm.



6. Connect the light wires and the reserved wires brown to brown, yellow to blue.

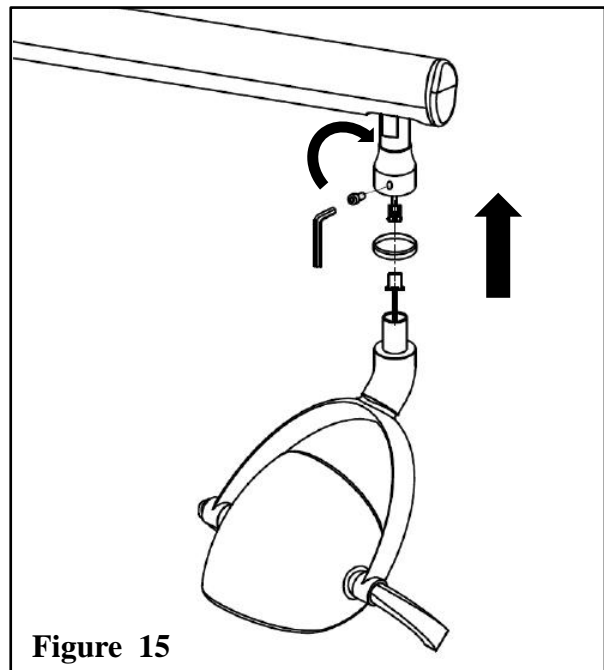


7. Take out the lamp from the package, pass the wire through the cosmetic ring and connect the wire terminals, then joint the light head and the level arm together, fully fasten with a M5\*12 screw.

**Note:** Hold the lamp, do not drop it to avoid damage.

**Tools:**

4mm Allen wrench





We reserve the right to make any alterations which may be due to technical improvements.



710422

## ADS Dental System Inc.

---

Add: 1590 S Milliken Ave., unit A, Ontario, CA 91761

Tel: (626) 620 0456

E-mail: [ads@adsequip.com](mailto:ads@adsequip.com)

<http://www.adsequip.com/>