



ADS Dental System



AJ17 Pediatric Chair

AJ17 Pediatric Chair

Part number: A091701



Standard Features:

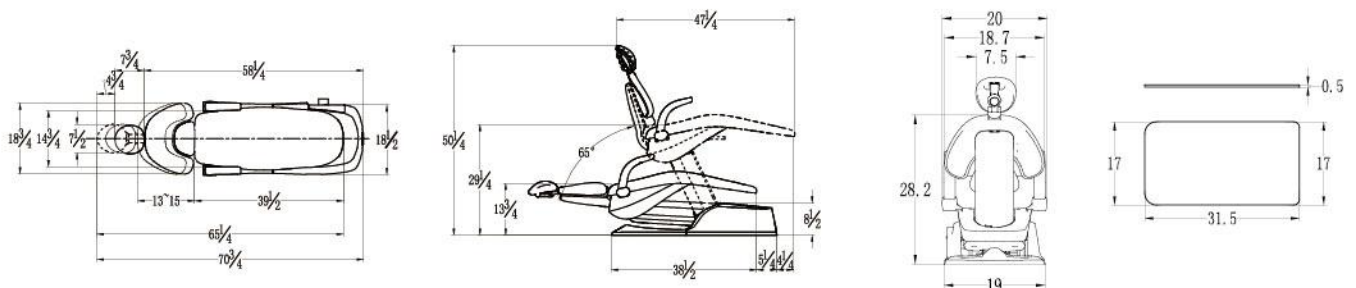
- | | |
|---|--|
| AJ17 Electromechanical Pediatric chair, telescoping backrest, | Steel backrest stand, |
| Little size for 3-10 year old kids, | Steel base plate, |
| 3 programmable positions, | Chair safety switch, |
| 0 position and LP last position, | Upgraded fiber leather, |
| Articulating headrest, | One touchpad attached on armrest, Foot control |
| Swing out armrest, | |

Specifications:

- | | |
|----------------------------|---|
| Environmental requirements | — Ambient temperature 5 °C~40 °C;
Humidity ≤80%;
Atmospherical pressure 8.7 psi~ 15.4psi; |
| Electrical requirements | — AC110V ±22V;
50HZ, 60HZ; |
| Motor run time | — Intermittent operation 30s On / 5min Off; |

Weight ————— 265lbs;

Max patient load ——— 400lbs;



AJ17 Classic 100

Part number: A9171001



Standard Features:

AJ17 Electromechanical Pediatric chair with telescoping backrest,
For 3-10 year old kids, 3 programmable positions,
Articulating headrest, Swing out armrest, Steel backrest stand,
Steel base plate, Chair safety switch, Upgraded fiber leather,
One touchpad, Foot control
Classic dentist's control head with 3 auto H.P. control,
Individual water coolant controls,
Master handpiece air coolant adjustment,
Asepsis handpiece tubing,
Master on/off switch, 1 doctor syringe,
Remote toggles for cup fill and bowl rinse, Wet/Dry foot control,
Stainless steel tray with non-slip pad, Flex arm air brake switch,
Porcelain cuspidor bowl with strainer, Cup fill & Bowl rinse toggles.

Classic 100 Post mounted utility (PMU) with steel side box,
City water/bottled system, Water outlet and air QD,
Solids collector,
2 HVE, 1SE, 1 syringe on telescoping assistant's control,
Junction box with air/water filters, regulators, master shut- off valves,
5 ft. umbilical,
Post mount LED light with sensor control, 3 level intensity adjustment

AJ17 Classic 101

Part number: A9171001



Standard Features:

AJ17 Electromechanical Pediatric chair with telescoping backrest,
For 3-10 year old kids, 3 programmable positions,
Articulating headrest, Swing out armrest, Steel backrest stand,
Steel base plate, Chair safety switch, Upgraded fiber leather,
One touchpad, Foot control
Classic dentist's control head with 3 auto H.P. control,
Individual water coolant controls,
Master handpiece air coolant adjustment,
Asepsis handpiece tubing,
Master on/off switch, 1 doctor syringe,
Remote toggles for cup fill and bowl rinse, Wet/Dry foot control,
Stainless steel tray with non-slip pad, Flex arm air brake switch,
Porcelain cuspidor bowl with strainer, Cup fill & Bowl rinse toggles.

Classic 101 Post mounted utility (PMU) with steel side box,
City water/ bottled system, Water outlet and air QD,
Solids collector,
2 HVE, 1SE, 1 syringe on telescoping assistant's control,
Junction box with air/water filters, regulators, master shut- off valves,
5 ft. umbilical
Post mount LED light with sensor control, 3 level intensity adjustment

AJ19 Pediatric Bench

Part number: A091901

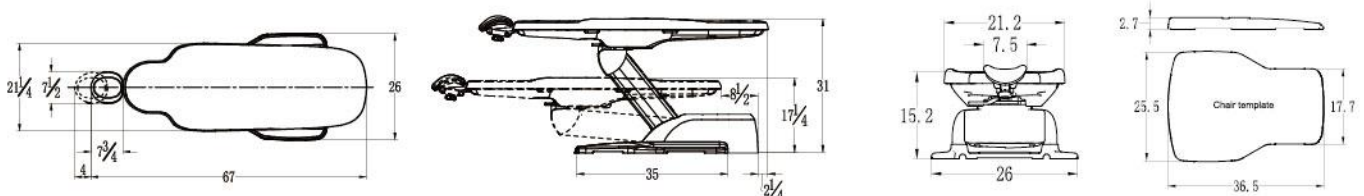


Standard Features:

- AJ19 Electromechanical pediatric bench with up down function,
- Articulating headrest,
- Chair safety switch,
- Foot controll articulating headrest
- Sturdy cast iron structure & aluminum base,
- Foot control .

Specifications:

- Environmental requirements — Ambient temperature $5^{\circ}\text{C} \sim 40^{\circ}\text{C}$;
- Humidity $\leq 80\%$;
- Atmospherical pressure $8.7 \text{ psi} \sim 15.4 \text{ psi}$;
- Electrical requirements — AC $110\text{V} \pm 22\text{V}$;
- 50HZ, 60HZ;
- Motor run time — Intermittent operation 30s On / 5min Off;
- Weight — 331lbs;
- Max patient load — 400lbs;



AJ19 Classic 100

Part number: A9191001



Standard Features:

AJ19 Electromechanical pediatric bench with up down function,

Articulating headrest,

Chair safety switch,

Foot control

Classic dentist's control head with 3 auto H.P. control,

Individual water coolant controls,

Master handpiece air coolant adjustment,

Asepsis handpiece tubing,

Master on/off switch, 1 doctor syringe,

Wet/Dry foot control,

Stainless steel tray with non-slip pad,

Flex arm air brake switch

Classic 100 Post mounted utility (PMU) with steel side box,

City water/bottled system, Water outlet and air QD,

Solids collector,

2 HVE, 1SE, 1 syringe on telescoping assistant's control,

Junction box with air/water filters, regulators, master shut- off valves,

5 ft. umbilical,

Post mount LED light with sensor control, 3 level intensity adjustment

AJ19 Classic 101

Part number: A9191011



Standard Features:

AJ19 Electromechanical pediatric bench with up down function,

Articulating headrest,

Chair safety switch,

Foot control

Classic dentist's control head with 3 auto H.P. control,

Individual water coolant controls,

Master handpiece air coolant adjustment,

Asepsis handpiece tubing,

Master on/off switch, 1 doctor syringe,

Wet/Dry foot control,

Stainless steel tray with non-slip pad,

Flex arm air brake switch

Classic 101 Post mounted utility (PMU) with steel side box,

City water/ bottled system, Water outlet and air QD,

Solids collector,

2 HVE, 1SE, 1 syringe on telescoping assistant's control,

Junction box with air/water filters, regulators, master shut- off valves,

5 ft. umbilical

Post mount LED light with sensor control, 3 level intensity adjustment

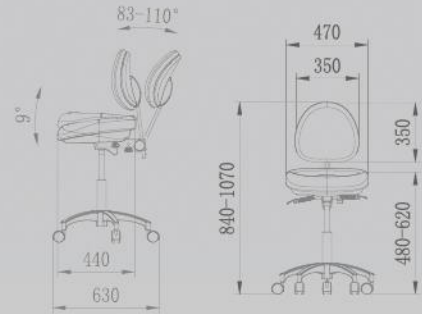
Dental Stools



D3 Doctor stool

Part number: A080103

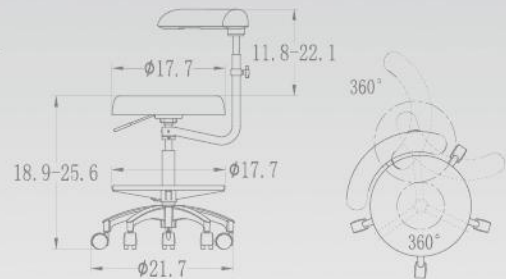
Chrome plated pneumatic cylinder
 Height adjustment,
 Backrest forward backward adjustment,
 Seat surface adjustment,
 Contoured seat & back,
 Fiber leather upholstery
 Cast aluminum star,
 Quiet twin wheel casters,
 1 year warranty



N4 Assistant stool

Part number: A080224

Round seat,
 Fiber leather upholstery,
 Chrome plated pneumatic cylinder
 Adjustable chrome foot ring
 Cast aluminum star
 Ratcheting body support,
 1 year warranty



Color sample
 (Fiber leather)



Technical support: 800 488 9708

Add: 1590 S Milliken Ave., unit A, Ontario, CA 91761

Tel: (626) 620 0456

www.adsdental.com www.adsequip.com

sales@adsequip.com